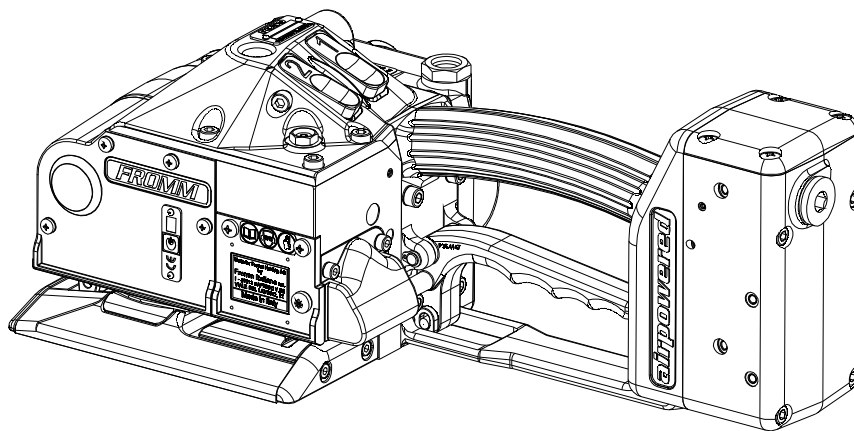


**PNEUMATISCHES KUNSTSTOFFBAND-
UMREIFUNGSGERÄT
MODELL P359**

49.0512.01



	Inhalt	Seite
1	Ersatzteilliste 49.0512.01	2
2	Zeichnung 49.0512.01	8

1 Ersatzteilliste 49.0512.01

49.0512.01	P359/25/0.60-0.79/7.0		P359.0001.01			20.04.20
Art.-Nr.		in Gruppe	Stk.	Bezeichnung	Dimension	Feld
N1.1553		P35.0227	1	SECHSKANTSCHRAUBE	M4 X 8	D14
N1.1813		P35.0212	4	LINSENSENKSCHEIBE	M5 X 16	B25
N1.1919			2	SCHRAUBE	M4 X 16	C11
N1.1930		P35.0224	1	ZYLINDERSCHRAUBE	M3 X 4	C4
N1.1944			4	SCHRAUBE	M4 X 60	D18
N1.1968			1	SCHRAUBE	M5 X 70	D12
N1.2163			1	SENKSCHEIBE	M5 X 12	D22
N1.2186		P35.0224	2	SENKSCHEIBE	M5 X 16	B1+
N1.2189		P35.0214	3	SENKSCHEIBE	M4 X 20	B21
N1.2212		P35.0219	4	SENKSCHEIBE	M4 X 25	A22
N1.2218			2	SENKSCHEIBE	M4 X 12	B17
N1.3128			1	GEWINDESTIFT	M4 X 8	D1
N1.5144		P35.0229	2	SECHSKANTMUTTER	M12 X 1.25	D10
N1.5602		P35.0203	1	NUTMUTTER	M10 X 1	A14
N1.6331			2	DISTANZSCHEIBE	6 X 12 X 0.5	C15+
N1.6384		P35.0219	1	DISTANZSCHEIBE	11 X 17 X 0.5	A20
N1.6503			20	SICHERUNGSSCHEIBE	M5	D2+
N1.6503		P35.0207	2	SICHERUNGSSCHEIBE	M5	A7+
N1.6503		P35.0212	4	SICHERUNGSSCHEIBE	M5	D24
N1.6504			16	SICHERUNGSSCHEIBE	M4	C11+
N1.6504		P35.0227	1	SICHERUNGSSCHEIBE	M4	D14
N11.1115			6	SCHRAUBE	M4 X 8	C14+
N11.1116			4	SCHRAUBE	M4 X 12	C14+
N11.1119			4	SCHRAUBE	M5 X 20	D21+
N11.1133			2	SCHRAUBE	M5 X 35	D2
N11.1147			11	SCHRAUBE	M5 X 16	A7+
N11.1193			2	ZYLINDERSCHRAUBE	M5 X 55	D1+
N11.1193		P35.0212	4	ZYLINDERSCHRAUBE	M5 X 55	D23
N2.1118			2	SICHERUNGSRING	6	C11+
N2.1121			2	SICHERUNGSRING	5	C11+
N2.1301		P35.0211	1	HALBMONDRING	6	E23+
N2.1601		P35.0208	1	SPRENGRING	SW12	D24
N2.1606			1	SPRENGRING	SW6	C22
N2.1606		P35.0205	1	SPRENGRING	SW6	D8
N2.1614		P35.0219	1	SPRENGRING		A21
N2.2101			2	ZYLINDERSTIFT	5 m6 X 12	B14
N2.2101		P35.0212	1	ZYLINDERSTIFT	5 m6 X 12	E25
N2.2102			1	ZYLINDERSTIFT	5 m6 X 16	B5
N2.2110		P35.0201	1	ZYLINDERSTIFT	4 m6 X 10	C13
N2.2119		P35.0226	1	ZYLINDERSTIFT	4 m6 X 18	C17
N2.2138		P35.0234	1	ZYLINDERSTIFT	4 m6 X 12	B21
N2.2142		P35.0207	1	ZYLINDERSTIFT	4 m6 X 28	B8
N2.2147		P35.0201	2	ZYLINDERSTIFT	3 m6 X 10	C19
N2.2154			1	ZYLINDERSTIFT	5 h6 X 60	B17
N2.2162			2	ZYLINDERSTIFT	3 m6 X 24	D13+
N2.2172		P35.0233	1	ZYLINDERSTIFT	5 m6 X 30	A20
N2.2187		P35.0201	1	ZYLINDERSTIFT	3 m6 X 6	C13
N2.2190			1	ZYLINDERSTIFT	6 h6 X 18	B14
N2.2401		P35.0236	1	SCHWERSPANNSTIFT	3 X 10	B3
N2.2443		P35.0237	1	SCHWERSPANNSTIFT	4 X 15	A2

[] = Gruppe

* = Verschleissenteil

49.0512.01	P359/25/0.60-0.79/7.0			P359.0001.01		20.04.20
Art.-Nr.		in Gruppe	Stk.	Bezeichnung	Dimension	Feld
N2.4902			4	HAMMERSCHRAUBE	1.85 X 4.76	A8+
N2.5123			1	DRUCKFEDER	1 X 8 X 40/12.5	A20
N2.5157			2	DRUCKFEDER	0.6 X 4.8 X 20/15.5	B14
N2.5178			2	DRUCKFEDER	0.32X2.82X20.5/20.5	D13
N2.5296		P35.0219	1	DRUCKFEDER	0.5 X 4 X 24/16.5	A21
N2.5604		P35.0224	2	TELLERFEDER	31.5 X 16.3 X 1.25	A3+
N2.5628		P35.0229	2	TELLERFEDER	25 X 12.2 X 1/1.8	D10
N21.2106		P35.0233	3	ZYLINDERSTIFT	8 h6 X 50	B20
N21.2130		P35.0214	3	ZYLINDERSTIFT	5 h6 X 20	B21
N21.5103			1	DRUCKFEDER	0.5 X 4 X 31/21.5	C20
N21.5127			2	DRUCKFEDER	1.1 X 9.0 X 50/14.5	B14
N21.5209		P35.0209	1	DRUCKFEDER	0.7 X 7.5 X 35.8/11.5	C24
N21.5210			1	DRUCKFEDER	0.8 X 6.1 X 46/17.5	C5
N21.5211			1	DRUCKFEDER	0.75 X 4.5 X 24/15.5	D13
N21.5212		P35.0204	1	DRUCKFEDER	0.5 X 3.7 X 26.5/18.5	D7
N21.5212		P35.0205	1	DRUCKFEDER	0.5 X 3.7 X 26.5/18.5	D8
N21.5212		P35.0206	1	DRUCKFEDER	0.5 X 3.7 X 26.5/18.5	B9
N21.5213		P35.0211	1	DRUCKFEDER	0.32 X 8.5 X 17/6.5	E24+
N21.5220		P35.0208	1	DRUCKFEDER	0.90 X 8.0 X 43.0/16.5	D24
N3.1134			1	KUGELLAGER	7 X 22 X7	B15
N3.1134		P33.0115	1	KUGELLAGER	7 X 22 X7	C15
N3.1159		P35.0137	1	KUGELLAGER	6 X 19 X 6	C16
N3.1160		P35.0213	1	KUGELLAGER	40 X 52 X 7	B21
N3.1174			1	KUGELLAGER	7 X 19 X 6	C18
N3.1174		P35.0224	1	KUGELLAGER	7 X 19 X 6	A2
N3.1702			10	KUGEL	4 MM	D1+
N3.2106		P35.0214	3	NADELKAEFIG	K 5 X 8 X 10 TN	B21
N3.2111			6	NADELKAEFIG	K 8 X 11 X 10 TV	C18
N3.2347		P35.0202	2	NADELHUELSE	10 X 14 X 12	C13
N3.3103		P35.0226	1	GLEITLAGER	10 X 12 X 20	C17
N3.3166		P35.0233	1	GLEITLAGER	10 X 12 X 12	A20
N3.3318		P35.0235	1	GLEITLAGER	8 X 10 X 4	B22
N3.4509	*	P35.0222	1	NADELFREILAUF	6 X 10 X 15	B1
N3.4509	*	P35.0223	1	NADELFREILAUF	6 X 10 X 15	A4
N3.4519		P35.0215	1	FREILAUF	8 X 12 X 22	A19
N31.1121		P35.0216	1	KUGELLAGER	45 X 58 X 7	B21
N31.1145		P35.0214	1	KUGELLAGER	45 X 55 X 6	C20
N31.1148			2	KUGELLAGER	40 X 52 X 7	C17+
N31.1150		P35.0224	1	KUGELLAGER	8 X 19 X 6	C2
N31.1163		P35.0222	1	KUGELLAGER	15 X 24 X 5	B2
N31.1163		P35.0224	4	KUGELLAGER	15 X 24 X 5	A3+
N4.5137			2	SCHUTZKAPPE		E23+
N4.9159			1	SCHILD	<<CE>>	D19
N41.9129			1	AUFKLEBER	p max. 6 bar/87 psi	C2
N41.9140			1	AUFKLEBER	30 X 10 X 0.1	D11
N44.9104			2	AUFKLEBER	<<FROMM>>	D2+
N44.9185			1	TYPENSCHILD		A8
N6.3223		P35.0207	1	DRUCKANZEIGE		B7
N6.5136		P35.0212	1	VERSCHLUSSSCHRAUBE		D24
N6.6117		P35.0204	3	DICHTUNG	6 X 13 X 2.3	C7+
N6.6117		P35.0205	2	DICHTUNG	6 X 13 X 2.3	C8+
N6.6117		P35.0206	3	DICHTUNG	6 X 13 X 2.3	B9+

[] = Gruppe

* = Verschleissenteil

49.0512.01	P359/25/0.60-0.79/7.0		P359.0001.01			20.04.20
Art.-Nr.		in Gruppe	Stk.	Bezeichnung	Dimension	Feld
N6.6117		P35.0208	4	DICHTUNG	6 X 13 X 2.3	A24+
N6.6120		P35.0209	1	DICHTUNG	16 X 9 X 2.3	C24
N6.6123		P35.0208	2	DICHTUNG	12 X 19 X 2.3	C24
N6.6123		P35.0209	5	DICHTUNG	12 X 19 X 2.3	A24+
N6.6157		P35.0211	1	DICHTRING	4 MM	E24+
N6.6163		P35.0221	1	DICHTUNG	10 X 13.6 X 2.3	B5
N6.6192		P35.0203	1	DICHTUNG	45 X 36 X 2.8	A14
N6.6211		P35.0224	2	O-RING	16 X 2	C3
N6.6214		P35.0222	2	O-RING	23 X 2	B2
N6.6214		P35.0224	3	O-RING	23 X 2	A3
N6.6217			2	O-RING	15 X 2	C3
N6.6217		P35.0205	3	O-RING	15 X 2	C8+
N6.6220		P35.0207	1	O-RING	40 X 2.5	C7
N6.6235		P35.0221	2	O-RING	12 X 2	B5
N6.6247		P35.0205	1	O-RING	5 X 2.5	C8
N6.6247		P35.0210	1	O-RING	5 X 2.5	D25
N6.6255		P35.0208	6	O-RING	21 X 2	B24+
N6.6255		P35.0209	6	O-RING	21 X 2	A24+
N6.6255		P35.0212	1	O-RING	21 X 2	C25
N6.6262			1	O-RING	32 X 2.0	D3
N6.6267		P35.0203	1	O-RING	10 X 2.0	A14
N6.6267		P35.0210	3	O-RING	10 X 2.0	C25+
N6.6267		P35.0212	1	O-RING	10 X 2.0	C25
N6.6268		P35.0221	1	O-RING	6 X 2.5	B5
N6.6283		P35.0201	1	O-RING	4 X 1	C6
N6.6283		P35.0211	1	O-RING	4 X 1	E24+
N6.6291		P35.0204	3	O-RING	11.5 X 1.5	C7+
N6.6291		P35.0206	3	O-RING	11.5 X 1.5	B9+
N6.6706		P35.0224	2	MEMBRANE		C3
N61.5606			1	REDUZIERSTUTZEN		C2
N61.6208		P35.0211	2	O-RING	9.5 X 1.5	E24+
N61.6213		P35.0224	2	O-RING	45 X 1.5	A2+
N61.6219			1	O-RING	7 X 2	B5
P32.1022		P33.0115	1	SCHWEISSEXZENTER		C15
P32.1027			1	KUGELKAEFIG		C12
P32.1029			1	DRUCKSTUECK		B12
P32.1037		P35.0137	1	ZAHNRAD		C15
P32.1123		P33.0115	1	RITZEL		C15
P32.1210			1	ZENTRIERHUELSE		E9
P32.1251		P35.0227	1	SCHIEBER		D14
[P33.0115]			1	SCHWEISSEXZENTER		B15
P33.1120		P35.0222	1	ZAHNRAD		B1
P33.1236			1	FUEHRUNGSBOLZEN		D14
P33.1237			1	FUEHRUNGSBOLZEN		D14
P33.2230	*		1	SPANNROLLE		C17
[P35.0137]			1	ZAHNRAD		C16
[P35.0201]			1	KOERPER		B19
[P35.0202]			1	SCHWINGE		C12
[P35.0203]			1	KOLBEN		A13
[P35.0204]			1	VENTIL		C7
[P35.0205]			1	VENTIL		C9
[P35.0206]		P35.0207	1	VENTIL		B10

[] = Gruppe

* = Verschleissteil

49.0512.01	P359/25/0.60-0.79/7.0		P359.0001.01		20.04.20	
Art.-Nr.		in Gruppe	Stk.	Bezeichnung	Dimension	Feld
[P35.0207]			1	DECKEL		A9
[P35.0208]		P35.0212	1	VENTIL		A25
[P35.0209]		P35.0212	1	VENTIL		A24
[P35.0210]		P35.0212	1	WECHSELVENTIL		C25
[P35.0211]		P35.0212	2	DROSSEL		E23+
[P35.0212]			1	GRIFF		F25
[P35.0213]		P35.0219	1	ZAHNRAD		A21
[P35.0214]		P35.0219	1	RAD		C21
[P35.0215]		P35.0219	1	SPERRRAD		A19
[P35.0216]		P35.0219	1	ZAHNRAD		B22
[P35.0219]			1	GETRIEBE		A22
[P35.0221]			1	VENTIL		C6
[P35.0222]		P35.0224	1	ZAHNRAD		C1
[P35.0223]		P35.0224	1	KEGELRITZEL		A4
[P35.0224]			1	LUFTMOTOR		A1
[P35.0226]			1	LAGERSCHILD		C17
[P35.0227]			1	SCHIEBER		D14
[P35.0229]			1	AUFHAENGUNG		E10
[P35.0233]		P35.0219	1	GETRIEBEGEHAEUSE		B20
[P35.0234]		P35.0219	1	HEBEL		B21
[P35.0235]		P35.0219	1	GETRIEBEDECKEL		B22
[P35.0236]		P35.0224	1	ENDPLATTE		B3
[P35.0237]		P35.0224	1	ENDPLATTE		B1
P35.1317		P35.0210	1	VENTILSCHIEBER		D25
P35.1318		P35.0210	1	VENTILHUELSE		D25
P35.1344			1	STELLSCHIEBER		D1
P35.1350		P35.0210	1	GEGENHUELSE		D25
P35.2058		P35.0211	1	DROSSELKOERPER		E24+
P35.2060		P35.0211	1	DROSSELSCHRAUBE		F24
P35.2064			1	GRIFFACHSE		C21
P35.3143		P35.0204	2	STUETZRING		C7+
P35.3143		P35.0206	2	STUETZRING		B9+
P35.4101		P35.0201	1	KOERPER		B20
P35.4102		P35.0201	1	BOLZEN		B18
P35.4103			1	STAHLEINSATZ		B12
P35.4104	*		1	SCHWEISSHALTEBACKE		B12
P35.4105			1	BANDFUEHRUNGSPLATTE		C14
P35.4106		P35.0202	1	SCHWINGE		C13
P35.4107	*		1	SCHWEISSBACKE		C12
P35.4108		P35.0203	1	KOLBENSTANGE		A14
P35.4109		P35.0203	1	KOLBENPLATTE		A14
P35.4110			1	MITNEHMERBOLZEN		D12
P35.4111			2	MITNEHMER		C11+
P35.4112		P35.0204	1	SCHIEBER		D7
P35.4113		P35.0204	1	LUFTAUSLASSRING		C7
P35.4114		P35.0204	1	FUEHRUNG		D7
P35.4114		P35.0206	1	FUEHRUNG		B9
P35.4115		P35.0205	1	VENTILRING		C8
P35.4116		P35.0205	1	STUETZRING		C8
P35.4117		P35.0205	1	STUETZRING		D8
P35.4118		P35.0205	1	SCHEIBE		D8
P35.4119		P35.0205	1	SCHIEBER		C8

[] = Gruppe

* = Verschleissenteil

49.0512.01	P359/25/0.60-0.79/7.0		P359.0001.01		20.04.20	
Art.-Nr.		in Gruppe	Stk.	Bezeichnung	Dimension	Feld
P35.4121		P35.0206	1	HUELSE		C10
P35.4122		P35.0206	1	SCHIEBEBOLZEN		C10
P35.4123		P35.0207	1	DECKEL		B9
P35.4124			1	DICHTPLATTE		E9
P35.4125			1	SCHIEBER		C20
P35.4126			1	LAGERHALTER		D15
P35.4127		P35.0212	1	GRIFF		F25
P35.4128		P35.0212	1	VENTILGEHAEUSE		E25
P35.4129		P35.0212	1	DECKEL		C26
P35.4130		P35.0212	1	DICHTPLATTE		E25
P35.4131		P35.0208	1	VENTILSCHIEBER		D24
P35.4132		P35.0208	1	ZWISCHENRING		A24
P35.4133		P35.0208	2	STUETZRING		B24
P35.4134		P35.0208	1	ENDRING		C24
P35.4135		P35.0208	1	STUETZRING		C24
P35.4136		P35.0208	1	STUETZRING		C24
P35.4137		P35.0208	1	STUETZRING		B24
P35.4138		P35.0209	1	ENDRING		A24
P35.4139		P35.0209	2	STUETZRING		B24
P35.4140		P35.0209	1	STUETZRING		A24
P35.4141		P35.0209	1	STUETZRING		B24
P35.4142		P35.0209	1	ZWISCHENRING		C24
P35.4143		P35.0209	1	VENTILSCHIEBER		C24
P35.4144		P35.0209	1	ZYLINDER		D24
P35.4145		P35.0211	1	DROSSELSITZ		E24+
P35.4146			1	DICHTPLATTE		C21
P35.4147			1	GRIFFHEBEL		D21
P35.4149		P35.0233	1	GETRIEBEGEHAEUSE		A20
P35.4150		P35.0213	1	ZAHNRAD		A21
P35.4151		P35.0214	1	ZAHNRAD		B21
P35.4152		P35.0215	1	ZAHNRAD		A19
P35.4153		P35.0216	1	ZAHNRAD		B22
P35.4154		P35.0214	1	PLANETENTRAEGER		B20
P35.4155		P35.0214	3	RITZEL		B21
P35.4156		P35.0234	1	HEBEL		B21
P35.4157		P35.0235	1	GETRIEBEDECKEL		B22
P35.4158			1	WIPPE		A20
P35.4161		P35.0221	1	REGELSCHIEBER		C5
P35.4162		P35.0221	1	ENDRING		B5
P35.4163		P35.0221	1	VENTILHUELSE		B5
P35.4164			1	DICHTPLATTE		C5
P35.4165		P35.0207	2	ACHSE		A7+
P35.4166		P35.0207	1	HEBEL		B7
P35.4167		P35.0207	1	HEBEL		B7
P35.4168		P35.0223	1	KEGELRITZEL		A4
P35.4169		P35.0224	1	KEGELRITZEL		C4
P35.4170		P35.0236	1	ENDPLATTE		B3
P35.4171		P35.0237	1	ENDPLATTE		A2
P35.4172		P35.0224	2	STUETZSCHEIBE		C2+
P35.4173		P35.0224	1	ROTOR		B3
P35.4174		P35.0224	1	MANTEL		B3
P35.4175		P35.0224	1	MOTORGEHAEUSE		C5

[] = Gruppe

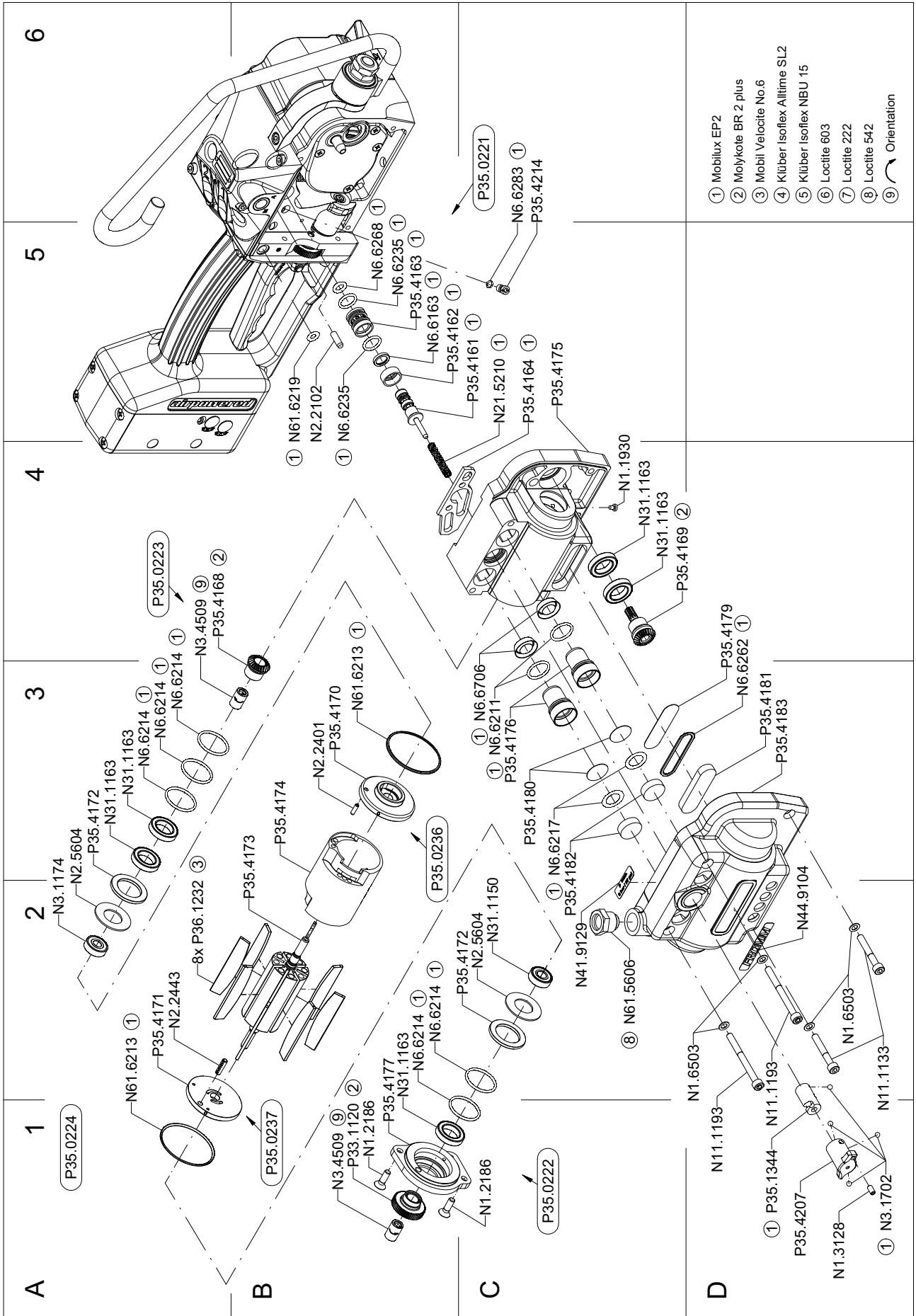
* = Verschleissenteil

49.0512.01	P359/25/0.60-0.79/7.0			P359.0001.01		20.04.20
Art.-Nr.		in Gruppe	Stk.	Bezeichnung	Dimension	Feld
P35.4176		P35.0224	2	HALTER		C3
P35.4177		P35.0222	1	DECKEL		B2
P35.4179			1	SIEB		D4
P35.4180			2	SIEB		C3
P35.4181			1	SCHALLDAEMPFER		D3
P35.4182			2	SCHALLDAEMPFER		C2
P35.4183			1	DECKEL		D3
P35.4184			1	BACKENHALTER		A18
P35.4188	*		1	HALTEBACKE		B18
P35.4189	*		1	HALTEBACKE		B18
P35.4190	*		1	HALTEBACKE		B18
P35.4191			1	BANDANSCHLAG		B17
P35.4193			1	BANDANSCHLAG		B17
P35.4195			2	DISTANZSCHEIBE		B17
P35.4196			3	RITZEL		B18
P35.4197		P35.0226	1	LAGERSCHILD		C17
P35.4198	*		1	TRENNMESSER		C13
P35.4199			1	FUEHRUNG		D13
P35.4202			1	FUEHRUNGSKASTEN		D13
P35.4203			1	WIPPHEBEL		D13
P35.4204			1	WIPPHEBEL		D14
P35.4205		P35.0227	1	DRUCKSTUECK		D14
P35.4206			1	ZENTRIERHUELSE		D13
P35.4207			1	REGELKOPF		D1
P35.4209			1	SCHEIBE		D22
P35.4210			1	BOLZEN		D12
P35.4211			1	DECKEL		D19
P35.4212			1	DECKEL		C11
P35.4213			1	DECKEL		C16
P35.4214		P35.0201	1	DUESE		C6
P35.4302		P35.0229	1	HALTER		E9
P35.4303		P35.0229	1	AUFHAENGEBOEGEL		D9
P35.4304		P35.0229	1	SCHEIBE		D10
P36.1232	*	P35.0224	8	LAMELLE		A2
P36.1305		P35.0211	1	FUEHRUNG		E24+
P36.1306		P35.0211	1	DROSSELHALTER		E23+

[] = Gruppe

* = Verschleissteil

2 Zeichnung 49.0512.01



- ① Mobilux EP2
- ② Molykote BR 2 plus
- ③ Mobil Velocite No.6
- ④ Klüber Isoflex Alltime SL2
- ⑤ Klüber Isoflex NBU 15
- ⑥ Locitite 603
- ⑦ Locitite 222
- ⑧ Locitite 542
- ⑨ Orientation

