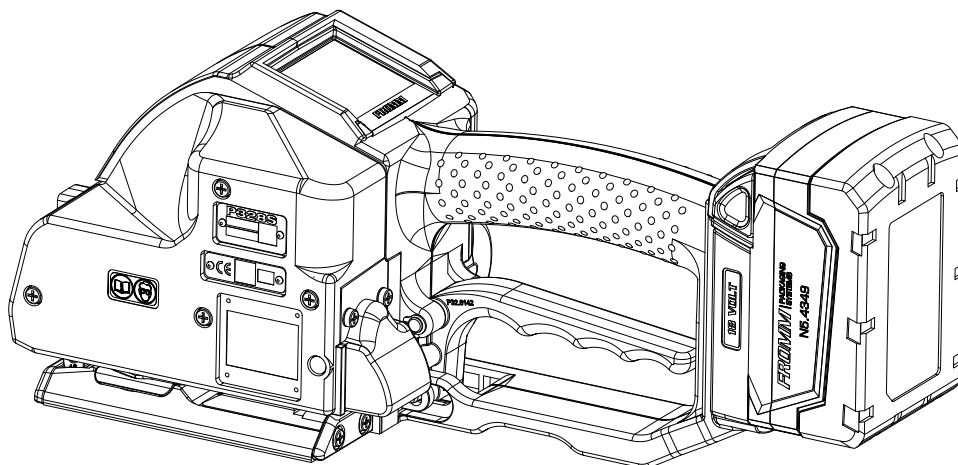


SPARE PARTS LIST / DRAWINGS

**BATTERY - POWERED
PLASTIC STRAPPING TOOL
MODEL P328S**

43.3461.01



| | Index | Page |
|----------|------------------------------------|-------------|
| 1 | Spare parts list 43.3461.01 | 2 |
| 2 | Drawing 43.3461.01 | 6 |

1 Spare parts list 43.3461.01

| 43.3461.01 | P328S/16/0.40-0.64/W | | P328.0003.01 | | | 22.06.18 |
|------------|----------------------|----------|--------------|-------------------|---------------------|----------|
| Item-No. | | in group | Pcs. | Description | Dimension | Field |
| N1.1196 | | | 3 | SCREW | M4 X 16 | D6 |
| N1.1305 | | | 6 | SCREW | M4 X 7.8 | C2+ |
| N1.1553 | | P35.0146 | 1 | HEXAGON SCREW | M4 X 8 | B12 |
| N1.1910 | | | 2 | FLAT HEAD SCREW | M4 X 12 | B10 |
| N1.1911 | | | 2 | FLAT HEAD SCREW | M4 X 8 | A3 |
| N1.1927 | | P32.0238 | 1 | FLAT HEAD SCREW | M4 X 60 | D19 |
| N1.1928 | | | 1 | FLAT HEAD SCREW | M4 X 16 | B6 |
| N1.1934 | | | 1 | FLAT HEAD SCREW | M4 X 50 | B6 |
| N1.1934 | | P32.0238 | 2 | FLAT HEAD SCREW | M4 X 50 | D19 |
| N1.1943 | | | 2 | FLAT HEAD SCREW | M4 X 40 | B6 |
| N1.1966 | | P32.0238 | 1 | SCREW | M4 X 70 | C19 |
| N1.1972 | | P32.0238 | 1 | SCREW | M4 X 78 | D19 |
| N1.1973 | | | 1 | FLAT HEAD SCREW | M4 X 10 | A6 |
| N1.2188 | | P32.0205 | 3 | COUNTERSUNK SCREW | M4 X 16 | D13 |
| N1.2222 | | | 2 | COUNTERSUNK SCREW | M4 X 10 | C1 |
| N1.2239 | | P32.0208 | 3 | COUNTERSUNK SCREW | M4 X 20 | D14 |
| N1.6305 | | P32.0238 | 1 | SPACER WASHER | 6 X 18 X 0.5 | B24 |
| N1.6331 | | P32.0238 | 3 | SPACER WASHER | 6 X 12 X 0.5 | B9+ |
| N1.6386 | | P32.0238 | 1 | SPACER WASHER | 9 X 15 X 0.50 | D17 |
| N1.6504 | | | 18 | SAFETY WASHER | M4 | C1+ |
| N1.6504 | | P32.0238 | 5 | SAFETY WASHER | M4 | C19+ |
| N1.6504 | | P35.0146 | 1 | SAFETY WASHER | M4 | B12 |
| N1.7211 | | P32.0238 | 9 | PT-SCREW | 3 X 20 | C19+ |
| N1.7222 | | P32.0238 | 1 | PT-SCREW | 2.2 X 5 | B21 |
| N2.1118 | | P32.0238 | 2 | SECURITY RING | 6 | B9+ |
| N2.1121 | | | 1 | SECURITY RING | 5 | B12 |
| N2.1121 | | P32.0238 | 4 | SECURITY RING | 5 | D10+ |
| N2.1606 | | P32.0238 | 1 | SPRING RING | SW6 | C19 |
| N2.1610 | | P32.0208 | 1 | SPRING RING | SB44 | C14 |
| N2.2110 | | P32.0200 | 1 | PARALLEL PIN | 4 m6 X 10 | D8 |
| N2.2119 | | P32.0222 | 1 | PARALLEL PIN | 4 m6 X 18 | D4 |
| N2.2124 | | | 1 | PARALLEL PIN | 4 m6 X 40 | C2 |
| N2.2126 | | P32.0207 | 1 | PARALLEL PIN | 5 m6 X 26 | B15 |
| N2.2142 | | P32.0206 | 1 | PARALLEL PIN | 4 m6 X 28 | C16 |
| N2.2145 | | P32.0205 | 3 | PARALLEL PIN | 4 h6 X 18 | C14 |
| N2.2147 | | P32.0200 | 2 | PARALLEL PIN | 3 m6 X 10 | C2 |
| N2.2180 | | P32.0208 | 1 | PARALLEL PIN | 4 m6 X 16 | C16 |
| N2.2187 | | P32.0200 | 1 | PARALLEL PIN | 3 m6 X 6 | C9 |
| N2.2190 | | P32.0238 | 1 | PARALLEL PIN | 6 h6 X 18 | C18 |
| N2.2193 | | | 1 | PARALLEL PIN | 3 m6 X 32 | C12 |
| N2.2443 | | P32.0203 | 1 | DOWEL PIN | 4 X 15 | A8 |
| N2.3364 | | P32.0238 | 1 | FEATHER KEY | 2 X 2 X 6 | C7 |
| N2.4902 | | | 2 | HAMMER HEAD BOLT | 1.85 X 4.76 | A6 |
| N2.4902 | | P32.0235 | 2 | HAMMER HEAD BOLT | 1.85 X 4.76 | A6 |
| N2.5157 | | P32.0238 | 2 | PRESSURE SPRING | 0.6 X 4.8 X 20/15.5 | B8 |
| N2.5178 | | | 2 | PRESSURE SPRING | 0.32X2.82X20.5/20.5 | C12 |
| N2.5237 | | | 1 | PRESSURE SPRING | 0.8 X 4.8 X 25/18.5 | C11 |
| N2.5296 | | P32.0208 | 1 | PRESSURE SPRING | 0.5 X 4 X 24/16.5 | C16 |
| N21.2140 | | P32.0238 | 1 | DOWEL PIN | 2 X 16 | D7 |
| N21.2144 | | P32.0238 | 1 | PARALLEL PIN | 3 h6 X 30 | B16 |

[] = Group

* = Wearing parts

| 43.3461.01 | P328S/16/0.40-0.64/W | | P328.0003.01 | | | 22.06.18 |
|------------|----------------------|----------|--------------|----------------------|------------------------|----------|
| Item-No. | | in group | Pcs. | Description | Dimension | Field |
| N21.2145 | | P32.0207 | 3 | PARALLEL PIN | 5 h6 X 37.3 | B3 |
| N21.5124 | | P32.0238 | 1 | PRESSURE SPRING | 0.9 X 10 X 15/5.5 | B19 |
| N21.5138 | | P32.0203 | 1 | PRESSURE SPRING | 2.5 X 14.2 X 33.5/7.5 | A8 |
| N21.5139 | | P32.0238 | 1 | PRESSURE SPRING | 1.25 X 9.8 X 45/14.5 | B15 |
| N21.5219 | | P32.0238 | 1 | PRESSURE SPRING | 0.43 X 3.6 X 32.9/27.5 | B13 |
| N3.1134 | | P32.0202 | 1 | BALL BEARING | 7 X 22 X7 | A15 |
| N3.1134 | | P32.0238 | 1 | BALL BEARING | 7 X 22 X7 | B16 |
| N3.1159 | | P33.0204 | 1 | BALL BEARING | 6 X 19 X 6 | B17 |
| N3.1172 | | | 2 | BALL BEARING | 30 X 42 X 7 | B3+ |
| N3.1178 | | P32.0204 | 1 | BALL BEARING | 35 X 44 X 5 | B15 |
| N3.1185 | | | 1 | BALL BEARING | 5 X 16 X 5 | C5 |
| N3.1185 | | P32.0208 | 1 | BALL BEARING | 5 X 16 X 5 | D16 |
| N3.1702 | | P32.0238 | 6 | BALL | 4 MM | C10 |
| N3.2105 | | P32.0205 | 3 | NEEDLE CAGE | K 4 X 7 X 7 TN | C14 |
| N3.2107 | | | 3 | NEEDLE CAGE | K 5 X 9 X 13 TN | B4 |
| N3.2347 | | P32.0144 | 2 | NEEDLE BUSH | 10 X 14 X 12 | A15+ |
| N3.2362 | | P32.0210 | 1 | NEEDLE BUSH | 6 X 10 X 8 | B24 |
| N3.3150 | | P32.0222 | 1 | SLIDE-BEARING | 8 X 10 X 12 | D5 |
| N3.3172 | | P32.0207 | 1 | SLIDE-BEARING | 8 X 10 X 10 | B17 |
| N3.4509 | * | P32.0209 | 1 | NEEDLE FREE WHEELING | 6 X 10 X 15 | D17 |
| N3.4509 | * | P32.0212 | 1 | NEEDLE FREE WHEELING | 6 X 10 X 15 | D21 |
| N3.4520 | * | P32.0211 | 1 | FREE-WHEELING | 6 X 10 X 12 | D22 |
| N31.1118 | | P32.0238 | 2 | BALL BEARING | 10 X 19 X 5 | C22 |
| N31.1120 | | P32.0205 | 1 | BALL BEARING | 4 X 11 X 4 | C14 |
| N31.1120 | | P32.0238 | 1 | BALL BEARING | 4 X 11 X 4 | C22 |
| N31.1151 | | P32.0238 | 1 | BALL BEARING | 17 X 30 X 7 | D22 |
| N31.1163 | | P32.0212 | 1 | BALL BEARING | 15 X 24 X 5 | D21 |
| N31.1169 | | P32.0205 | 1 | BALL BEARING | 40 X 50 X 6 | D16 |
| N31.3115 | | P32.0200 | 1 | SLIDE-BEARING | 6 X 8 X 6 | B9 |
| N4.3236 | | P32.0238 | 1 | TOOTHED BELT | 9 MM | A23 |
| N4.9159 | | P32.0235 | 1 | LABEL | <<CE>> | A6 |
| N41.9127 | | P32.0235 | 1 | ADHESIVE LABEL | 20 X 10 X 0.1 | B5 |
| N43.9192 | | P32.8208 | 1 | ADHESIVE LABEL | 18 Volt | A22 |
| N43.9192 | | P32.8210 | 1 | ADHESIVE LABEL | 18 Volt | B19 |
| N44.9104 | | P32.8210 | 1 | ADHESIVE LABEL | <<FROMM>> | D21 |
| N44.9185 | | | 1 | TYPE PLATE | | A6 |
| N44.9189 | | | 1 | ADHESIVE LABEL | WEEE | B19 |
| N44.9190 | | P32.8208 | 1 | ADHESIVE LABEL | | A22 |
| N5.2382 | | P32.8227 | 1 | MICRO SWITCH | | C23 |
| N5.2702 | | | 1 | COVER | | C20 |
| N51.1127 | | P32.0238 | 1 | GEAR MOTOR | | A21 |
| N51.2194 | | P32.0236 | 1 | INSERT PART | | A19 |
| N6.6224 | | P32.0238 | 2 | O-RING | 24 X 2 | C22 |
| N6.6232 | | P32.0238 | 1 | O-RING | 8 X 2 | A21 |
| N61.6220 | | P32.0238 | 2 | O-RING | 29.5 X 3 | D23 |
| P30.1210 | | P32.8213 | 1 | HOLDING-DOWN CLAMP | | C20 |
| P31.1124 | | P32.0200 | 1 | TUBE | | B14 |
| [P32.0144] | | P32.0238 | 1 | ROCKER | | B15 |
| P32.0149 | | P32.0238 | 1 | PINION | | C22 |
| [P32.0200] | | P32.0238 | 1 | BODY | | A1+ |
| [P32.0202] | | P32.0238 | 1 | WELDING EXCENTRIC | | A14 |
| [P32.0203] | | P32.0238 | 1 | SPRING BOLT | | A7 |

[] = Group

* = Wearing parts

| 43.3461.01 | P328S/16/0.40-0.64/W | | P328.0003.01 | | 22.06.18 | |
|------------|----------------------|----------|--------------|----------------------|-----------|-------|
| Item-No. | | in group | Pcs. | Description | Dimension | Field |
| [P32.0204] | | P32.0208 | 1 | GEAR WHEEL | | B14 |
| [P32.0205] | | P32.0208 | 1 | IDLER STEP | | C13 |
| [P32.0206] | | P32.0208 | 1 | LEVER | | C16 |
| [P32.0207] | | P32.0208 | 1 | GEAR BODY | | B3+ |
| [P32.0208] | | P32.0238 | 1 | GEAR | | B13 |
| [P32.0209] | | P32.0238 | 1 | GEAR WHEEL | | C17 |
| [P32.0210] | | P32.0238 | 1 | GEAR WHEEL | | B23 |
| [P32.0211] | | P32.0238 | 1 | CONICAL GEAR WHEEL | | D23 |
| [P32.0212] | | P32.0238 | 1 | GEAR WHEEL | | D21 |
| [P32.0222] | | | 1 | END COVER | | D4 |
| [P32.0235] | | | 1 | COVER | | A4 |
| [P32.0236] | | P32.0238 | 1 | CIRCUIT BOARD | | B21 |
| [P32.0238] | | | 1 | BASE MODEL | | D6+ |
| P32.1022 | | P32.0202 | 1 | WELDING EXCENTRIC | | A15 |
| P32.1024 | | P32.0144 | 1 | ROCKER | | A16 |
| P32.1027 | | P32.0238 | 1 | BALL CAGE | | C10 |
| P32.1028 | | P32.0238 | 1 | BOLT | | D11 |
| P32.1029 | | P32.0238 | 1 | THRUST PIECE | | C10 |
| P32.1032 | | P32.0238 | 1 | DRIVING PIN | | D11 |
| P32.1035 | | P32.0238 | 2 | DRIVER | | D10+ |
| P32.1215 | | P32.0238 | 1 | HANDLE SHAFT | | C19 |
| P32.1251 | | P35.0146 | 1 | PUSHER | | B12 |
| P32.1511 | * | P32.0238 | 1 | WELDING GRIPPER | | D11 |
| P32.1710 | | | 1 | CENTERING SLEEVE | | C12 |
| P32.2012 | | P32.0238 | 1 | GUIDE | | B16 |
| P32.2016 | | P33.0204 | 1 | GEAR WHEEL | | C17 |
| P32.8101 | | P32.0200 | 1 | BODY | | C7 |
| P32.8106 | | | 1 | STEEL INSERT | | D9 |
| P32.8107 | * | | 1 | WELDING STOP GRIPPER | | C10 |
| P32.8108 | | | 1 | HOLDER | | C3 |
| P32.8112 | * | | 1 | GRIPPER | | D3 |
| P32.8113 | * | | 1 | GRIPPER | | D3 |
| P32.8114 | * | | 1 | GRIPPER | | D3 |
| P32.8115 | | P32.0202 | 1 | PINION | | A14 |
| P32.8116 | | P32.0203 | 1 | SPRING SLIDE | | A9 |
| P32.8117 | | P32.0203 | 1 | SPRING BOLT | | B8 |
| P32.8118 | | | 1 | STRAP GUIDE PLATE | | A3 |
| P32.8120 | | P32.0238 | 1 | MAGNET | | D7 |
| P32.8121 | | P32.0238 | 1 | ECCENTRIC SHAFT | | C7 |
| P32.8122 | | P32.0238 | 1 | TOOTHED BELT PULLEY | | B9 |
| P32.8125 | | P32.0238 | 1 | PUSHER | | B14 |
| P32.8126 | | P32.0204 | 1 | GEAR WHEEL | | C15 |
| P32.8127 | | P32.0205 | 1 | PLANET SHAFT | | C14 |
| P32.8128 | | P32.0205 | 1 | GEAR WHEEL | | C13 |
| P32.8129 | | P32.0208 | 1 | GEAR WHEEL | | D16 |
| P32.8130 | | P32.0206 | 1 | LEVER | | C16 |
| P32.8131 | | P32.0207 | 1 | GEAR BODY | | C17 |
| P32.8132 | | P32.0208 | 1 | GEARING COVER | | D15 |
| P32.8133 | | P32.0238 | 1 | PUSHER | | C23 |
| P32.8134 | | P32.0209 | 1 | GEAR WHEEL | | D17 |
| P32.8135 | | P32.0210 | 1 | GEAR WHEEL | | B24 |
| P32.8136 | | P32.0238 | 1 | HOUSING | | B24 |

[] = Group

* = Wearing parts

| 43.3461.01 | P328S/16/0.40-0.64/W | | P328.0003.01 | | | 22.06.18 |
|------------|----------------------|----------|--------------|--------------------|-----------|----------|
| Item-No. | | in group | Pcs. | Description | Dimension | Field |
| P32.8137 | | P32.0200 | 1 | SWIVEL SHAFT | | A18 |
| P32.8138 | | P32.0211 | 1 | CONICAL GEAR WHEEL | | D22 |
| P32.8139 | | P32.0212 | 1 | GEAR WHEEL | | D21 |
| P32.8140 | | P32.0238 | 1 | RETAINER | | B21 |
| P32.8141 | | P32.0238 | 1 | COVERING | | B21 |
| P32.8142 | | P32.0238 | 1 | HANDLE LEVER | | B21 |
| P32.8159 | | P32.0222 | 1 | END COVER | | C5 |
| P32.8167 | | | 1 | STRAP STOP | | B1 |
| P32.8177 | | | 1 | STRAP GUIDE | | D4 |
| P32.8195 | | | 1 | COVER | | C9 |
| P32.8198 | | | 1 | INSERT PART | | D9 |
| [P32.8208] | | P32.0238 | 1 | MOTOR HOUSING | | A22 |
| [P32.8210] | | P32.0238 | 1 | MOTOR HOUSING | | B19 |
| P32.8211 | | P32.0235 | 1 | COVER | | A4 |
| [P32.8213] | | P32.0236 | 1 | CIRCUIT BOARD | | C20 |
| P32.8223 | | P32.0238 | 1 | DISPLAY | | A20 |
| P32.8226 | | P32.0238 | 1 | CONNECTION CABLE | | B20 |
| [P32.8227] | | P32.0238 | 1 | SWITCH | | C23 |
| P32.8228 | * | P32.0238 | 1 | MOTOR | | D21 |
| P32.8231 | | P32.8227 | 1 | CABLE | | C23 |
| P32.8233 | | P32.0236 | 1 | DOWEL | | B20 |
| [P33.0204] | | P32.0238 | 1 | GEAR WHEEL | | B18 |
| P33.2145 | | P32.0238 | 1 | DISK | | B21 |
| [P35.0146] | | | 1 | PUSHER | | C12 |
| P35.3104 | | P32.0205 | 3 | IDLER GEAR | | C13 |
| P35.3201 | | | 3 | IDLER GEAR | | B4 |
| P35.3202 | * | | 1 | TENSIONING WHEEL | | C4 |
| P35.3214 | * | | 1 | CUTTER | | C11 |
| P35.3215 | | | 1 | GUIDE CASE | | B11 |
| P35.3216 | | | 1 | GUIDE PIN | | D12 |
| P35.3217 | | | 1 | GUIDE PIN | | D12 |
| P35.3220 | | | 1 | SEESAW LEVER | | B11 |
| P35.3221 | | | 1 | SEESAW LEVER | | C12 |
| P35.3223 | | P35.0146 | 1 | THRUST PIECE | | B12 |

[] = Group

* = Wearing parts

2 Drawing 43.3461.01

