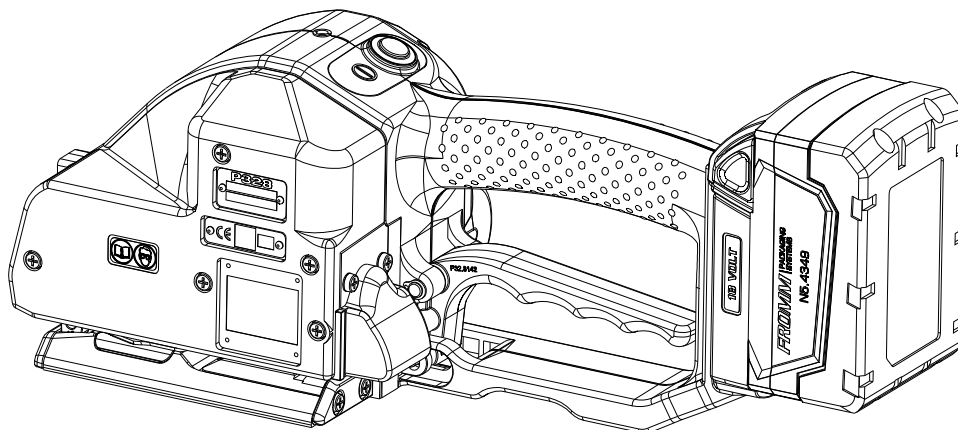


**AKKU KUNSTSTOFFBAND-  
UMREIFUNGSGERÄT  
MODELL P328 A/A**

43.2661.01



|          | <b>Inhalt</b>                     | <b>Seite</b> |
|----------|-----------------------------------|--------------|
| <b>1</b> | <b>Ersatzteilliste 43.2661.01</b> | <b>2</b>     |
| <b>2</b> | <b>Zeichnung 43.2661.01</b>       | <b>6</b>     |

**1 Ersatzteilliste 43.2661.01**

| 43.2661.01 | P328/16/0.40-0.64/A |           | P328.0002.01 |                   |                     | 23.04.20 |
|------------|---------------------|-----------|--------------|-------------------|---------------------|----------|
| Art.-Nr.   |                     | in Gruppe | Stk.         | Bezeichnung       | Dimension           | Feld     |
| N1.1196    |                     |           | 3            | SCHRAUBE          | M4 X 16             | D6       |
| N1.1305    |                     |           | 6            | SCHRAUBE          | M4 X 7.8            | C2+      |
| N1.1553    |                     | P35.0146  | 1            | SECHSKANTSCHRAUBE | M4 X 8              | B12      |
| N1.1910    |                     |           | 2            | ZYLINDERSCHRAUBE  | M4 X 12             | B10      |
| N1.1911    |                     |           | 2            | ZYLINDERSCHRAUBE  | M4 X 8              | A3       |
| N1.1927    |                     | P32.0217  | 1            | ZYLINDERSCHRAUBE  | M4 X 60             | D19      |
| N1.1928    |                     |           | 1            | ZYLINDERSCHRAUBE  | M4 X 16             | B6       |
| N1.1934    |                     |           | 1            | ZYLINDERSCHRAUBE  | M4 X 50             | B6       |
| N1.1934    |                     | P32.0217  | 2            | ZYLINDERSCHRAUBE  | M4 X 50             | D19      |
| N1.1943    |                     |           | 2            | ZYLINDERSCHRAUBE  | M4 X 40             | B6       |
| N1.1966    |                     | P32.0217  | 1            | SCHRAUBE          | M4 X 70             | C19      |
| N1.1972    |                     | P32.0217  | 1            | SCHRAUBE          | M4 X 78             | D19      |
| N1.1973    |                     |           | 1            | ZYLINDERSCHRAUBE  | M4 X 10             | A6       |
| N1.2188    |                     | P32.0205  | 3            | SENKSCHRAUBE      | M4 X 16             | D13      |
| N1.2222    |                     |           | 2            | SENKSCHRAUBE      | M4 X 10             | C1       |
| N1.2239    |                     | P32.0208  | 3            | SENKSCHRAUBE      | M4 X 20             | D14      |
| N1.6305    |                     | P32.0217  | 1            | DISTANZSCHEIBE    | 6 X 18 X 0.5        | B24      |
| N1.6331    |                     | P32.0217  | 3            | DISTANZSCHEIBE    | 6 X 12 X 0.5        | B9+      |
| N1.6386    |                     | P32.0217  | 1            | DISTANZSCHEIBE    | 9 X 15 X 0.50       | D17      |
| N1.6504    |                     |           | 18           | SICHERUNGSSCHEIBE | M4                  | C1+      |
| N1.6504    |                     | P32.0217  | 5            | SICHERUNGSSCHEIBE | M4                  | C19+     |
| N1.6504    |                     | P35.0146  | 1            | SICHERUNGSSCHEIBE | M4                  | B12      |
| N1.7207    |                     | P32.0217  | 1            | PT-SCHRAUBE       | 3 X 40              | C20      |
| N1.7211    |                     | P32.0217  | 8            | PT-SCHRAUBE       | 3 X 20              | C19+     |
| N1.7222    |                     | P32.0217  | 1            | PT-SCHRAUBE       | 2.2 X 5             | B21      |
| N2.1118    |                     | P32.0217  | 2            | SICHERUNGSRING    | 6                   | B9+      |
| N2.1121    |                     |           | 1            | SICHERUNGSRING    | 5                   | B12      |
| N2.1121    |                     | P32.0217  | 4            | SICHERUNGSRING    | 5                   | D10+     |
| N2.1606    |                     | P32.0217  | 1            | SPRENGRING        | SW6                 | C19      |
| N2.1610    |                     | P32.0208  | 1            | SPRENGRING        | SB44                | C14      |
| N2.2110    |                     | P32.0200  | 1            | ZYLINDERSTIFT     | 4 m6 X 10           | D8       |
| N2.2119    |                     | P32.0222  | 1            | ZYLINDERSTIFT     | 4 m6 X 18           | D4       |
| N2.2124    |                     |           | 1            | ZYLINDERSTIFT     | 4 m6 X 40           | C2       |
| N2.2126    |                     | P32.0207  | 1            | ZYLINDERSTIFT     | 5 m6 X 26           | B15      |
| N2.2142    |                     | P32.0206  | 1            | ZYLINDERSTIFT     | 4 m6 X 28           | C16      |
| N2.2145    |                     | P32.0205  | 3            | ZYLINDERSTIFT     | 4 h6 X 18           | C14      |
| N2.2147    |                     | P32.0200  | 2            | ZYLINDERSTIFT     | 3 m6 X 10           | C2       |
| N2.2180    |                     | P32.0208  | 1            | ZYLINDERSTIFT     | 4 m6 X 16           | C16      |
| N2.2187    |                     | P32.0200  | 1            | ZYLINDERSTIFT     | 3 m6 X 6            | C9       |
| N2.2190    |                     | P32.0217  | 1            | ZYLINDERSTIFT     | 6 h6 X 18           | C18      |
| N2.2193    |                     |           | 1            | ZYLINDERSTIFT     | 3 m6 X 32           | C12      |
| N2.2443    |                     | P32.0203  | 1            | SCHWERSPANNSTIFT  | 4 X 15              | A8       |
| N2.3364    |                     | P32.0217  | 1            | PASSFEDER         | 2 X 2 X 6           | C7       |
| N2.4902    |                     |           | 2            | HAMMERSCHRAUBE    | 1.85 X 4.76         | A6       |
| N2.4902    |                     | P32.0221  | 2            | HAMMERSCHRAUBE    | 1.85 X 4.76         | A6       |
| N2.5157    |                     | P32.0217  | 2            | DRUCKFEDER        | 0.6 X 4.8 X 20/15.5 | B8       |
| N2.5178    |                     |           | 2            | DRUCKFEDER        | 0.32X2.82X20.5/20.5 | C12      |
| N2.5237    |                     |           | 1            | DRUCKFEDER        | 0.8 X 4.8 X 25/18.5 | C11      |
| N2.5296    |                     | P32.0208  | 1            | DRUCKFEDER        | 0.5 X 4 X 24/16.5   | C16      |
| N21.2140   |                     | P32.0217  | 1            | SCHWERSPANNSTIFT  | 2 X 16              | D7       |

[ ] = Gruppe

\* = Verschleissteil

| 43.2661.01 | P328/16/0.40-0.64/A |           |      | P328.0002.01  |                        | 23.04.20 |
|------------|---------------------|-----------|------|---------------|------------------------|----------|
| Art.-Nr.   |                     | in Gruppe | Stk. | Bezeichnung   | Dimension              | Feld     |
| N21.2144   |                     | P32.0217  | 1    | ZYLINDERSTIFT | 3 h6 X 30              | B16      |
| N21.2145   |                     | P32.0207  | 3    | ZYLINDERSTIFT | 5 h6 X 37.3            | B3       |
| N21.5124   |                     | P32.0217  | 1    | DRUCKFEDER    | 0.9 X 10 X 15/5.5      | B19      |
| N21.5138   |                     | P32.0203  | 1    | DRUCKFEDER    | 2.5 X 14.2 X 33.5/7.5  | A8       |
| N21.5139   |                     | P32.0217  | 1    | DRUCKFEDER    | 1.25 X 9.8 X 45/14.5   | B15      |
| N21.5219   |                     | P32.0217  | 1    | DRUCKFEDER    | 0.43 X 3.6 X 32.9/27.5 | B13      |
| N3.1134    |                     | P32.0202  | 1    | KUGELLAGER    | 7 X 22 X7              | A15      |
| N3.1134    |                     | P32.0217  | 1    | KUGELLAGER    | 7 X 22 X7              | B16      |
| N3.1159    |                     | P33.0204  | 1    | KUGELLAGER    | 6 X 19 X 6             | B17      |
| N3.1172    |                     |           | 2    | KUGELLAGER    | 30 X 42 X 7            | B3+      |
| N3.1178    |                     | P32.0204  | 1    | KUGELLAGER    | 35 X 44 X 5            | B15      |
| N3.1185    |                     |           | 1    | KUGELLAGER    | 5 X 16 X 5             | C5       |
| N3.1185    |                     | P32.0208  | 1    | KUGELLAGER    | 5 X 16 X 5             | D16      |
| N3.1702    |                     | P32.0217  | 6    | KUGEL         | 4 MM                   | C10      |
| N3.2105    |                     | P32.0205  | 3    | NADELKAEFIG   | K 4 X 7 X 7 TN         | C14      |
| N3.2107    |                     |           | 3    | NADELKAEFIG   | K 5 X 9 X 13 TN        | B4       |
| N3.2347    |                     | P32.0144  | 2    | NADELHUELSE   | 10 X 14 X 12           | A15+     |
| N3.2362    |                     | P32.0210  | 1    | NADELHUELSE   | 6 X 10 X 8             | B24      |
| N3.3150    |                     | P32.0222  | 1    | GLEITLAGER    | 8 X 10 X 12            | D5       |
| N3.3172    |                     | P32.0207  | 1    | GLEITLAGER    | 8 X 10 X 10            | B17      |
| N3.4509    | *                   | P32.0209  | 1    | NADELFREILAUF | 6 X 10 X 15            | D17      |
| N3.4509    | *                   | P32.0212  | 1    | NADELFREILAUF | 6 X 10 X 15            | D21      |
| N3.4520    | *                   | P32.0211  | 1    | FREILAUF      | 6 X 10 X 12            | D22      |
| N31.1118   |                     | P32.0217  | 2    | KUGELLAGER    | 10 X 19 X 5            | B22      |
| N31.1120   |                     | P32.0205  | 1    | KUGELLAGER    | 4 X 11 X 4             | C14      |
| N31.1120   |                     | P32.0217  | 1    | KUGELLAGER    | 4 X 11 X 4             | C22      |
| N31.1151   |                     | P32.0217  | 1    | KUGELLAGER    | 17 X 30 X 7            | D22      |
| N31.1163   |                     | P32.0212  | 1    | KUGELLAGER    | 15 X 24 X 5            | D21      |
| N31.1169   |                     | P32.0205  | 1    | KUGELLAGER    | 40 X 50 X 6            | D16      |
| N31.3115   |                     | P32.0200  | 1    | GLEITLAGER    | 6 X 8 X 6              | B9       |
| N4.3236    |                     | P32.0217  | 1    | ZAHNRIEMEN    | 9 MM                   | A23      |
| N4.9159    |                     | P32.0221  | 1    | SCHILD        | <<CE>>                 | A6       |
| N41.9127   |                     | P32.0221  | 1    | AUFKLEBER     | 20 X 10 X 0.1          | B5       |
| N43.9164   |                     | P32.8196  | 1    | AUFKLEBER     | WEEE                   | C19      |
| N43.9192   |                     | P32.8103  | 1    | AUFKLEBER     | 18 Volt                | A22      |
| N43.9192   |                     | P32.8196  | 1    | AUFKLEBER     | 18 Volt                | B19      |
| N44.9104   |                     | P32.8196  | 1    | AUFKLEBER     | <<FROMM>>              | D21      |
| N44.9170   |                     | P32.8196  | 1    | AUFKLEBER     |                        | D19      |
| N44.9185   |                     |           | 1    | TYPENSCHILD   |                        | A6       |
| N44.9190   |                     | P32.8103  | 1    | AUFKLEBER     |                        | A22      |
| N5.2382    |                     | P32.8154  | 1    | MIKROSCHALTER |                        | C23      |
| N5.2702    |                     |           | 1    | DECKEL        |                        | C20      |
| N51.1127   |                     | P32.0217  | 1    | GETRIEBEMOTOR |                        | A21      |
| N51.2194   |                     | P32.0216  | 1    | EINLEGETEIL   |                        | A19      |
| N51.2199   |                     | N51.1111  | 3    | STECKER       |                        | C22      |
| N51.5477   |                     | P32.8103  | 1    | FEDERSTIFT    |                        | A22      |
| N6.6224    |                     | P32.0217  | 2    | O-RING        | 24 X 2                 | C21      |
| N6.6232    |                     | P32.0217  | 1    | O-RING        | 8 X 2                  | A20      |
| N61.6220   |                     | P32.0217  | 2    | O-RING        | 29.5 X 3               | D23      |
| P30.1210   |                     | P32.8151  | 1    | NIEDERHALTER  |                        | C20      |
| P31.1124   |                     | P32.0200  | 1    | ROHR          |                        | B14      |
| [P32.0144] |                     | P32.0217  | 1    | SCHWINGE      |                        | B15      |

[ ] = Gruppe

\* = Verschleissenteil

| 43.2661.01 | P328/16/0.40-0.64/A |           | P328.0002.01 |                     | 23.04.20  |      |
|------------|---------------------|-----------|--------------|---------------------|-----------|------|
| Art.-Nr.   |                     | in Gruppe | Stk.         | Bezeichnung         | Dimension | Feld |
| P32.0149   |                     | P32.0217  | 1            | RITZEL              |           | C22  |
| [P32.0200] |                     | P32.0217  | 1            | KOERPER             |           | A1+  |
| [P32.0202] |                     | P32.0217  | 1            | SCHWEISSEXZENTER    |           | A14  |
| [P32.0203] |                     | P32.0217  | 1            | FEDERBOLZEN         |           | A7   |
| [P32.0204] |                     | P32.0208  | 1            | ZAHNRAD             |           | B14  |
| [P32.0205] |                     | P32.0208  | 1            | PLANETENSTUFE       |           | C13  |
| [P32.0206] |                     | P32.0208  | 1            | HEBEL               |           | C16  |
| [P32.0207] |                     | P32.0208  | 1            | GETRIEBEGEHAEUSE    |           | B3+  |
| [P32.0208] |                     | P32.0217  | 1            | GETRIEBE            |           | B13  |
| [P32.0209] |                     | P32.0217  | 1            | ZAHNRAD             |           | C17  |
| [P32.0210] |                     | P32.0217  | 1            | ZAHNRAD             |           | B23  |
| [P32.0211] |                     | P32.0217  | 1            | KEGELRITZEL         |           | D23  |
| [P32.0212] |                     | P32.0217  | 1            | ZAHNRAD             |           | D21  |
| P32.0213   | *                   | P32.0217  | 1            | MOTOR               |           | D21  |
| [P32.0216] |                     | P32.0217  | 1            | ELEKTRONIK          |           | B21  |
| [P32.0217] |                     |           | 1            | BASISMODELL         |           | D6+  |
| [P32.0221] |                     |           | 1            | DECKEL              |           | A4   |
| [P32.0222] |                     |           | 1            | LAGERSCHILD         |           | D4   |
| P32.1022   |                     | P32.0202  | 1            | SCHWEISSEXZENTER    |           | A15  |
| P32.1024   |                     | P32.0144  | 1            | SCHWINGE            |           | A16  |
| P32.1027   |                     | P32.0217  | 1            | KUGELKAEFIG         |           | C10  |
| P32.1028   |                     | P32.0217  | 1            | BOLZEN              |           | D11  |
| P32.1029   |                     | P32.0217  | 1            | DRUCKSTUECK         |           | C10  |
| P32.1032   |                     | P32.0217  | 1            | MITNEHMERBOLZEN     |           | D11  |
| P32.1035   |                     | P32.0217  | 2            | MITNEHMER           |           | D10+ |
| P32.1215   |                     | P32.0217  | 1            | GRIFFACHSE          |           | C19  |
| P32.1251   |                     | P35.0146  | 1            | SCHIEBER            |           | B12  |
| P32.1511   | *                   | P32.0217  | 1            | SCHWEISSBACKE       |           | D11  |
| P32.1710   |                     |           | 1            | ZENTRIERHUELSE      |           | C12  |
| P32.2009   |                     | P32.8151  | 2            | DREHKNOPF           |           | C20  |
| P32.2012   |                     | P32.0217  | 1            | FUEHRUNG            |           | B16  |
| P32.2016   |                     | P33.0204  | 1            | ZAHNRAD             |           | C17  |
| P32.8101   |                     | P32.0200  | 1            | KOERPER             |           | C7   |
| [P32.8103] |                     | P32.0217  | 1            | MOTERGEHAEUSE       |           | A22  |
| P32.8106   |                     |           | 1            | STAHLEINSATZ        |           | D9   |
| P32.8107   | *                   |           | 1            | SCHWEISSHALTEBACKE  |           | C10  |
| P32.8108   |                     |           | 1            | BACKENHALTER        |           | C3   |
| P32.8112   | *                   |           | 1            | HALTEBACKE          |           | D3   |
| P32.8113   | *                   |           | 1            | HALTEBACKE          |           | D3   |
| P32.8114   | *                   |           | 1            | HALTEBACKE          |           | D3   |
| P32.8115   |                     | P32.0202  | 1            | RITZEL              |           | A14  |
| P32.8116   |                     | P32.0203  | 1            | FEDERSCHIEBER       |           | A9   |
| P32.8117   |                     | P32.0203  | 1            | FEDERBOLZEN         |           | B8   |
| P32.8118   |                     |           | 1            | BANDFUEHRUNGSPLATTE |           | A3   |
| P32.8120   |                     | P32.0217  | 1            | MAGNET              |           | D7   |
| P32.8121   |                     | P32.0217  | 1            | EXZENTERWELLE       |           | C7   |
| P32.8122   |                     | P32.0217  | 1            | ZAHNRIEMENSCHIEBE   |           | B9   |
| P32.8125   |                     | P32.0217  | 1            | SCHIEBER            |           | B14  |
| P32.8126   |                     | P32.0204  | 1            | ZAHNRAD             |           | C15  |
| P32.8127   |                     | P32.0205  | 1            | PLANETENTRAEGER     |           | C14  |
| P32.8128   |                     | P32.0205  | 1            | ZAHNRAD             |           | C13  |
| P32.8129   |                     | P32.0208  | 1            | ZAHNRAD             |           | D16  |

[ ] = Gruppe

\* = Verschleissenteil

| 43.2661.01 | P328/16/0.40-0.64/A |           | P328.0002.01 |                  |           | 23.04.20 |
|------------|---------------------|-----------|--------------|------------------|-----------|----------|
| Art.-Nr.   |                     | in Gruppe | Stk.         | Bezeichnung      | Dimension | Feld     |
| P32.8130   |                     | P32.0206  | 1            | HEBEL            |           | C16      |
| P32.8131   |                     | P32.0207  | 1            | GETRIEBEGEHAEUSE |           | C17      |
| P32.8132   |                     | P32.0208  | 1            | GETRIEBEBECKEL   |           | D15      |
| P32.8133   |                     | P32.0217  | 1            | SCHIEBER         |           | C23      |
| P32.8134   |                     | P32.0209  | 1            | ZAHNRAD          |           | D17      |
| P32.8135   |                     | P32.0210  | 1            | ZAHNRAD          |           | B24      |
| P32.8136   |                     | P32.0217  | 1            | GEHAEUSE         |           | B24      |
| P32.8137   |                     | P32.0200  | 1            | SCHWENKACHSE     |           | A18      |
| P32.8138   |                     | P32.0211  | 1            | KEGELRITZEL      |           | D22      |
| P32.8139   |                     | P32.0212  | 1            | ZAHNRAD          |           | D21      |
| P32.8140   |                     | P32.0217  | 1            | HALTER           |           | A22      |
| P32.8141   |                     | P32.0217  | 1            | ABDECKUNG        |           | B21      |
| P32.8142   |                     | P32.0217  | 1            | GRIFFHEBEL       |           | B21      |
| [P32.8151] |                     | P32.0216  | 1            | ELEKTRONIK       |           | B20      |
| [P32.8154] |                     | P32.0217  | 1            | TASTSCHALTER     |           | A21      |
| P32.8158   |                     | P32.0221  | 1            | DECKEL           |           | A4       |
| P32.8159   |                     | P32.0222  | 1            | LAGERSCHILD      |           | C5       |
| P32.8167   |                     |           | 1            | BANDANSCHLAG     |           | B1       |
| P32.8177   |                     |           | 1            | BANDFUEHRUNG     |           | D4       |
| P32.8195   |                     |           | 1            | DECKEL           |           | C9       |
| [P32.8196] |                     | P32.0217  | 1            | MOTORGEHAEUSE    |           | B19      |
| P32.8198   |                     |           | 1            | EINLEGETEIL      |           | D9       |
| [P33.0204] |                     | P32.0217  | 1            | ZAHNRAD          |           | B18      |
| P33.2115   |                     | P32.8151  | 1            | DREHKNOPF        |           | C20      |
| P33.2127   |                     | N51.1111  | 3            | SCHRUMPFSCHLAUCH |           | C22      |
| P33.2145   |                     | P32.0217  | 1            | SCHEIBE          |           | B21      |
| P33.2155   |                     | P32.0217  | 1            | HUELSE           |           | C22      |
| [P35.0146] |                     |           | 1            | SCHIEBER         |           | C12      |
| P35.3104   |                     | P32.0205  | 3            | PLANETENRAD      |           | C13      |
| P35.3201   |                     |           | 3            | PLANETENRAD      |           | B4       |
| P35.3202   | *                   |           | 1            | SPANNROLLE       |           | C4       |
| P35.3214   | *                   |           | 1            | TRENNMESSER      |           | C11      |
| P35.3215   |                     |           | 1            | FUEHRUNGSKASTEN  |           | B11      |
| P35.3216   |                     |           | 1            | FUEHRUNGSBOLZEN  |           | D12      |
| P35.3217   |                     |           | 1            | FUEHRUNGSBOLZEN  |           | D12      |
| P35.3220   |                     |           | 1            | WIPPHEBEL        |           | B11      |
| P35.3221   |                     |           | 1            | WIPPHEBEL        |           | C12      |
| P35.3223   |                     | P35.0146  | 1            | DRUCKSTUECK      |           | B12      |

[ ] = Gruppe

\* = Verschleissteil

2 Zeichnung 43.2661.01

