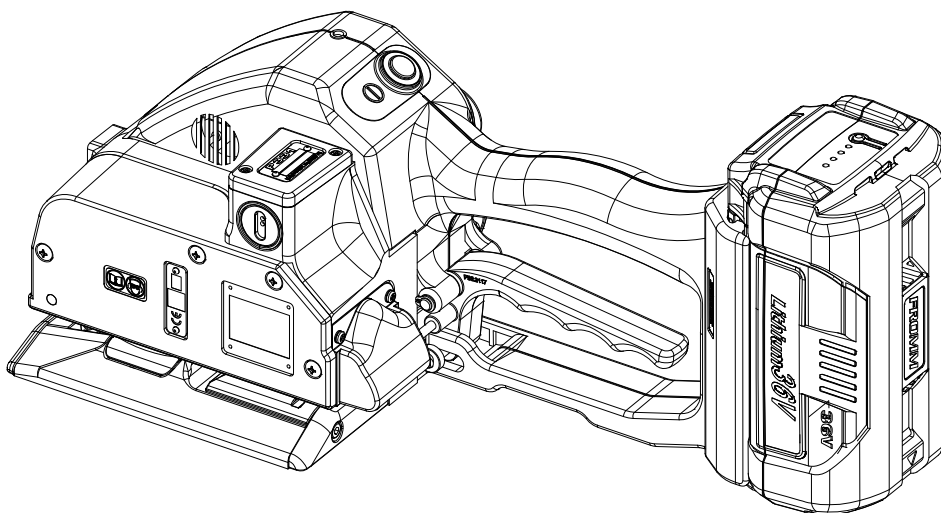


SPARE PARTS LIST / DRAWINGS

**BATTERY - POWERED
PLASTIC STRAPPING TOOL
MODEL P331 A/A**

43.0283.01



| | Index | Page |
|----------|------------------------------------|-------------|
| 1 | Spare parts list 43.0283.01 | 2 |
| 2 | Drawing 43.0283.01 | 6 |

1 Spare parts list 43.0283.01

| 43.0283.01 | P331/25/0.60-0.79/7.0/A | | P331.0002.01 | | | 21.04.20 |
|------------|-------------------------|----------|--------------|-------------------|---------------------|----------|
| Item-No. | | in group | Pcs. | Description | Dimension | Field |
| N1.1168 | | | 3 | SCREW | M5 X 16 | D6 |
| N1.1305 | | | 6 | SCREW | M4 X 7.8 | C1+ |
| N1.1553 | | P35.0227 | 1 | HEXAGON SCREW | M4 X 8 | B12 |
| N1.1919 | | | 1 | SCREW | M4 X 16 | A6 |
| N1.1924 | | | 1 | SCREW | M4 X 65 | B6 |
| N1.1927 | | P33.0213 | 1 | FLAT HEAD SCREW | M4 X 60 | D19 |
| N1.1932 | | | 2 | FLAT HEAD SCREW | M3 X 8 | A10 |
| N1.1932 | | P33.0213 | 2 | FLAT HEAD SCREW | M3 X 8 | B9 |
| N1.1934 | | P33.0213 | 3 | FLAT HEAD SCREW | M4 X 50 | D19 |
| N1.1965 | | | 2 | SCREW | M4 X 45 | B6 |
| N1.1966 | | P33.0213 | 1 | SCREW | M4 X 70 | D19 |
| N1.2189 | | P35.0214 | 3 | COUNTERSUNK SCREW | M4 X 20 | D13 |
| N1.2212 | | P33.0208 | 4 | COUNTERSUNK SCREW | M4 X 25 | D14 |
| N1.2222 | | | 2 | COUNTERSUNK SCREW | M4 X 10 | C1 |
| N1.6331 | | P33.0213 | 3 | SPACER WASHER | 6 X 12 X 0.5 | A23+ |
| N1.6384 | | P33.0208 | 1 | SPACER WASHER | 11 X 17 X 0.5 | C17 |
| N1.6503 | | | 3 | SAFETY WASHER | M5 | D5 |
| N1.6504 | | | 10 | SAFETY WASHER | M4 | C1+ |
| N1.6504 | | P33.0213 | 5 | SAFETY WASHER | M4 | D19+ |
| N1.6504 | | P35.0227 | 1 | SAFETY WASHER | M4 | B12 |
| N1.6505 | | | 2 | SAFETY WASHER | M3 | A9 |
| N1.6505 | | P33.0213 | 2 | SAFETY WASHER | M3 | C9 |
| N1.7211 | | P33.0213 | 9 | PT-SCREW | 3 X 20 | C19+ |
| N1.7221 | | P33.0213 | 2 | PT-SCREW | 2.5 X 14 | C22 |
| N11.1116 | | | 2 | SCREW | M4 X 12 | A3 |
| N2.1118 | | P33.0213 | 2 | SECURITY RING | 6 | A23+ |
| N2.1121 | | | 1 | SECURITY RING | 5 | B12 |
| N2.1121 | | P33.0213 | 1 | SECURITY RING | 5 | C9 |
| N2.1606 | | P33.0213 | 1 | SPRING RING | SW6 | C19 |
| N2.1614 | | P33.0208 | 1 | SPRING RING | | C14 |
| N2.2110 | | P33.0201 | 1 | PARALLEL PIN | 4 m6 X 10 | D8 |
| N2.2119 | | P35.0226 | 1 | PARALLEL PIN | 4 m6 X 18 | D4 |
| N2.2147 | | P33.0201 | 2 | PARALLEL PIN | 3 m6 X 10 | C2 |
| N2.2149 | | P33.0213 | 1 | PARALLEL PIN | 4 h6 X 22 | B16 |
| N2.2162 | | | 2 | PARALLEL PIN | 3 m6 X 24 | B11+ |
| N2.2165 | | P33.0206 | 1 | PARALLEL PIN | 4 m6 X 34 | C16 |
| N2.2172 | | P33.0207 | 1 | PARALLEL PIN | 5 m6 X 30 | B15 |
| N2.2187 | | P33.0201 | 1 | PARALLEL PIN | 3 m6 X 6 | C8 |
| N2.2190 | | P33.0213 | 1 | PARALLEL PIN | 6 h6 X 18 | C18 |
| N2.2443 | | P33.0203 | 1 | DOWEL PIN | 4 X 15 | A7 |
| N2.2465 | | P33.0213 | 1 | DOWEL PIN | 1.5 X 8 | A23 |
| N2.3364 | | P33.0213 | 1 | FEATHER KEY | 2 X 2 X 6 | A24 |
| N2.4902 | | | 4 | HAMMER HEAD BOLT | 1.85 X 4.76 | B5+ |
| N2.5157 | | P33.0213 | 2 | PRESSURE SPRING | 0.6 X 4.8 X 20/15.5 | B8 |
| N2.5178 | | | 2 | PRESSURE SPRING | 0.32X2.82X20.5/20.5 | C12 |
| N2.5296 | | P33.0208 | 1 | PRESSURE SPRING | 0.5 X 4 X 24/16.5 | C16 |
| N21.2106 | | P33.0207 | 3 | PARALLEL PIN | 8 h6 X 50 | B3 |
| N21.2130 | | P35.0214 | 3 | PARALLEL PIN | 5 h6 X 20 | C14 |
| N21.5124 | | P33.0213 | 1 | PRESSURE SPRING | 0.9 X 10 X 15/5.5 | A20 |
| N21.5207 | | P33.0213 | 1 | PRESSURE SPRING | 0.5 X 4.5 X 31/20.5 | B14 |

[] = Group

* = Wearing parts

| 43.0283.01 | P331/25/0.60-0.79/7.0/A | | P331.0002.01 | | 21.04.20 | |
|------------|-------------------------|----------|--------------|----------------------|------------------------|-------|
| Item-No. | | in group | Pcs. | Description | Dimension | Field |
| N21.5211 | | | 1 | PRESSURE SPRING | 0.75 X 4.5 X 24/15.5 | C11 |
| N21.5216 | | P33.0203 | 1 | PRESSURE SPRING | 2.8 X 15 X 34.5/7.5 | B8 |
| N21.5217 | | P33.0213 | 1 | PRESSURE SPRING | 1.25 X 9.5 X 46.5/15.5 | B15 |
| N3.1134 | | P33.0202 | 1 | BALL BEARING | 7 X 22 X7 | A15 |
| N3.1134 | | P33.0213 | 1 | BALL BEARING | 7 X 22 X7 | A16 |
| N3.1159 | | P33.0204 | 1 | BALL BEARING | 6 X 19 X 6 | B17 |
| N3.1160 | | P35.0213 | 1 | BALL BEARING | 40 X 52 X 7 | B15 |
| N3.1174 | | | 1 | BALL BEARING | 7 X 19 X 6 | C5 |
| N3.1702 | | P33.0213 | 6 | BALL | 4 MM | C10 |
| N3.2106 | | P35.0214 | 3 | NEEDLE CAGE | K 5 X 8 X 10 TN | C14 |
| N3.2111 | | | 6 | NEEDLE CAGE | K 8 X 11 X 10 TV | B3 |
| N3.2347 | | P35.0202 | 2 | NEEDLE BUSH | 10 X 14 X 12 | A15+ |
| N3.3103 | | P35.0226 | 1 | SLIDE-BEARING | 10 X 12 X 20 | D5 |
| N3.3166 | | P33.0207 | 1 | SLIDE-BEARING | 10 X 12 X 12 | B17 |
| N3.3189 | | P33.0201 | 1 | SLIDE-BEARING | 8 X 10 X 8 | C7 |
| N3.3318 | | P33.0205 | 1 | SLIDE-BEARING | 8 X 10 X 4 | D16 |
| N3.4509 | * | P33.0209 | 1 | NEEDLE FREE WHEELING | 6 X 10 X 15 | D23 |
| N3.4509 | * | P33.0210 | 1 | NEEDLE FREE WHEELING | 6 X 10 X 15 | C21 |
| N3.4519 | | P35.0217 | 1 | FREE-WHEELING | 8 X 12 X 22 | C17 |
| N31.1118 | | P33.0213 | 2 | BALL BEARING | 10 X 19 X 5 | C23 |
| N31.1120 | | P33.0213 | 1 | BALL BEARING | 4 X 11 X 4 | C22 |
| N31.1121 | | P35.0218 | 1 | BALL BEARING | 45 X 58 X 7 | D16 |
| N31.1145 | | P35.0214 | 1 | BALL BEARING | 45 X 55 X 6 | C14 |
| N31.1148 | | | 2 | BALL BEARING | 40 X 52 X 7 | B3+ |
| N31.1151 | | P33.0213 | 2 | BALL BEARING | 17 X 30 X 7 | D23 |
| N31.1163 | | P33.0210 | 1 | BALL BEARING | 15 X 24 X 5 | D21 |
| N31.3111 | | P33.0201 | 1 | SLIDE-BEARING | 20 X 23 X 10 | C9 |
| N4.9159 | | | 1 | LABEL | <<CE>> | B5 |
| N43.9181 | | | 1 | ADHESIVE LABEL | 20 X 10 X 0.1 | B5 |
| N44.9104 | | P33.2151 | 1 | ADHESIVE LABEL | <<FROMM>> | D21 |
| N44.9139 | | P33.2111 | 1 | ADHESIVE LABEL | 36V | A22 |
| N44.9139 | | P33.2151 | 1 | ADHESIVE LABEL | 36V | B19 |
| N44.9169 | | P33.2151 | 1 | ADHESIVE LABEL | | D19 |
| N44.9185 | | | 1 | TYPE PLATE | | A10 |
| N44.9191 | | P33.2111 | 1 | ADHESIVE LABEL | | A22 |
| N5.1193 | * | P33.0213 | 1 | GEAR MOTOR | | B20 |
| N5.2382 | | P33.2120 | 1 | MICRO SWITCH | | C23 |
| N5.2702 | | P33.0213 | 1 | COVER | | D20 |
| N51.2129 | | P33.2008 | 1 | CONTACT PLUG | | B20 |
| N51.2129 | | P33.2010 | 1 | CONTACT PLUG | | B20 |
| N51.2199 | | N51.1110 | 3 | CONTACT PLUG | | C22 |
| N51.5464 | | P33.0213 | 1 | FAN | | C23 |
| N51.5477 | | P33.2111 | 1 | SPRING PIN | | B22 |
| N6.6224 | | P33.0213 | 2 | O-RING | 24 X 2 | C21 |
| N6.6232 | | P33.0213 | 1 | O-RING | 8 X 2 | B20 |
| N61.6220 | | P33.0213 | 4 | O-RING | 29.5 X 3 | D23 |
| P31.1124 | | P33.0201 | 1 | TUBE | | B14 |
| P32.1022 | | P33.0202 | 1 | WELDING EXCENTRIC | | A15 |
| P32.1027 | | P33.0213 | 1 | BALL CAGE | | C10 |
| P32.1029 | | P33.0213 | 1 | THRUST PIECE | | C10 |
| P32.1251 | | P35.0227 | 1 | PUSHER | | B12 |
| P32.2009 | | P33.2138 | 2 | TURNING BUTTON | | C20 |

[] = Group

* = Wearing parts

| 43.0283.01 | P331/25/0.60-0.79/7.0/A | | P331.0002.01 | | 21.04.20 | |
|------------|-------------------------|----------|--------------|--------------------|-----------|-------|
| Item-No. | | in group | Pcs. | Description | Dimension | Field |
| P32.2012 | | P33.0213 | 1 | GUIDE | | B16 |
| P32.2016 | | P33.0204 | 1 | GEAR WHEEL | | B18 |
| [P33.0201] | | P33.0213 | 1 | BODY | | B7 |
| [P33.0202] | | P33.0213 | 1 | WELDING EXCENTRIC | | A15 |
| [P33.0203] | | P33.0213 | 1 | SPRING BOLT | | B7 |
| [P33.0204] | | P33.0213 | 1 | GEAR WHEEL | | B18 |
| [P33.0205] | | P33.0208 | 1 | GEARING COVER | | C15 |
| [P33.0206] | | P33.0208 | 1 | LEVER | | C16 |
| [P33.0207] | | P33.0208 | 1 | GEAR BODY | | B17 |
| [P33.0208] | | P33.0213 | 1 | GEAR | | B14+ |
| [P33.0209] | | P33.0213 | 1 | CONICAL GEAR WHEEL | | D23 |
| [P33.0210] | | P33.0213 | 1 | GEAR WHEEL | | C22 |
| P33.0211 | * | P33.0213 | 1 | MOTOR | | D22 |
| [P33.0213] | | | 1 | BASE MODEL | | D6+ |
| P33.1236 | | | 1 | GUIDE PIN | | D12 |
| P33.1237 | | | 1 | GUIDE PIN | | D12 |
| P33.2102 | | P33.0201 | 1 | BODY | | D7 |
| P33.2103 | | P33.0201 | 1 | BOLT | | A18 |
| P33.2104 | | P33.0202 | 1 | PINION | | A15 |
| P33.2105 | | P33.0203 | 1 | SPRING BOLT | | B8 |
| P33.2106 | | P33.0203 | 1 | SPRING SLIDE | | A8 |
| P33.2107 | | P33.0213 | 1 | RETAINER | | A23 |
| P33.2108 | | P33.0205 | 1 | GEARING COVER | | D15 |
| P33.2109 | | P33.0207 | 1 | GEAR BODY | | B16 |
| [P33.2111] | | P33.0213 | 1 | MOTOR HOUSING | | A22 |
| P33.2115 | | P33.2138 | 1 | TURNING BUTTON | | C20 |
| P33.2117 | | P33.0213 | 1 | HANDLE LEVER | | B21 |
| [P33.2120] | | P33.0213 | 1 | SWITCH | | A21 |
| P33.2122 | | P33.0209 | 1 | CONICAL GEAR WHEEL | | D23 |
| P33.2123 | | P33.0210 | 1 | GEAR WHEEL | | C21 |
| P33.2124 | | P33.0213 | 1 | CONICAL GEAR WHEEL | | C22 |
| P33.2127 | | N51.1110 | 3 | SHRINKABLE HOSE | | C22 |
| P33.2130 | | P33.0213 | 1 | ECCENTRIC SHAFT | | C9 |
| P33.2131 | | P33.0213 | 1 | GEAR WHEEL | | A23 |
| P33.2132 | | P33.0213 | 1 | COVER | | B9 |
| P33.2133 | | P33.0213 | 1 | PUSHER | | B14 |
| P33.2135 | | P33.0213 | 1 | INSERT PART | | A20 |
| P33.2136 | | P33.0213 | 1 | COVER | | A20 |
| P33.2137 | | P33.0213 | 1 | HANDLE SHAFT | | C19 |
| [P33.2138] | | P33.0213 | 1 | CIRCUIT BOARD | 36V | B21 |
| P33.2139 | | | 1 | STEEL INSERT | | D9 |
| P33.2142 | | | 1 | CENTERING SLEEVE | | C12 |
| P33.2143 | | | 1 | COVER | | A4 |
| P33.2145 | | P33.0213 | 1 | DISK | | B22 |
| P33.2149 | | | 1 | STRAP GUIDE | | D4 |
| [P33.2151] | | P33.0213 | 1 | MOTOR HOUSING | | B19 |
| P33.2155 | | P33.0213 | 1 | DOWEL | | C22 |
| P33.2230 | * | | 1 | TENSIONING WHEEL | | C4 |
| [P35.0202] | | P33.0213 | 1 | ROCKER | | A15 |
| [P35.0213] | | P33.0208 | 1 | GEAR WHEEL | | B15 |
| [P35.0214] | | P33.0208 | 1 | WHEEL | | C13 |
| [P35.0217] | | P33.0208 | 1 | RATCHET WHEEL | | C17 |

[] = Group

* = Wearing parts

| 43.0283.01 | P331/25/0.60-0.79/7.0/A | | | P331.0002.01 | | 21.04.20 |
|------------|-------------------------|----------|------|----------------------|-----------|----------|
| Item-No. | | in group | Pcs. | Description | Dimension | Field |
| [P35.0218] | | P33.0208 | 1 | GEAR WHEEL | | D16 |
| [P35.0226] | | | 1 | END COVER | | D4 |
| [P35.0227] | | | 1 | PUSHER | | B12 |
| P35.4104 | * | | 1 | WELDING STOP GRIPPER | | D9 |
| P35.4105 | | | 1 | STRAP GUIDE PLATE | | A3 |
| P35.4106 | | P35.0202 | 1 | ROCKER | | A16 |
| P35.4107 | * | P33.0213 | 1 | WELDING GRIPPER | | D10 |
| P35.4110 | | P33.0213 | 1 | DRIVING PIN | | C11 |
| P35.4111 | | P33.0213 | 2 | DRIVER | | D10+ |
| P35.4150 | | P35.0213 | 1 | GEAR WHEEL | | B15 |
| P35.4151 | | P35.0214 | 1 | GEAR WHEEL | | C13 |
| P35.4154 | | P35.0214 | 1 | PLANET SHAFT | | C14 |
| P35.4155 | | P35.0214 | 3 | PINION | | C13 |
| P35.4156 | | P33.0206 | 1 | LEVER | | C16 |
| P35.4159 | | P35.0217 | 1 | GEAR WHEEL | | C17 |
| P35.4160 | | P35.0218 | 1 | GEAR WHEEL | | D16 |
| P35.4184 | | | 1 | HOLDER | | C3 |
| P35.4188 | * | | 1 | GRIPPER | | D3 |
| P35.4189 | * | | 1 | GRIPPER | | D3 |
| P35.4190 | * | | 1 | GRIPPER | | D3 |
| P35.4193 | | | 1 | STRAP STOP | | B1 |
| P35.4196 | | | 3 | PINION | | B4 |
| P35.4197 | | P35.0226 | 1 | END COVER | | D4 |
| P35.4198 | * | | 1 | CUTTER | | C11 |
| P35.4199 | | | 1 | GUIDE | | C11 |
| P35.4202 | | | 1 | GUIDE CASE | | C12 |
| P35.4203 | | | 1 | SEESAW LEVER | | C12 |
| P35.4204 | | | 1 | SEESAW LEVER | | B11 |
| P35.4205 | | P35.0227 | 1 | THRUST PIECE | | B12 |
| P35.4210 | | P33.0213 | 1 | BOLT | | D11 |
| P35.4213 | | | 1 | COVER | | C9 |

[] = Group

* = Wearing parts

2 Drawing 43.0283.01

