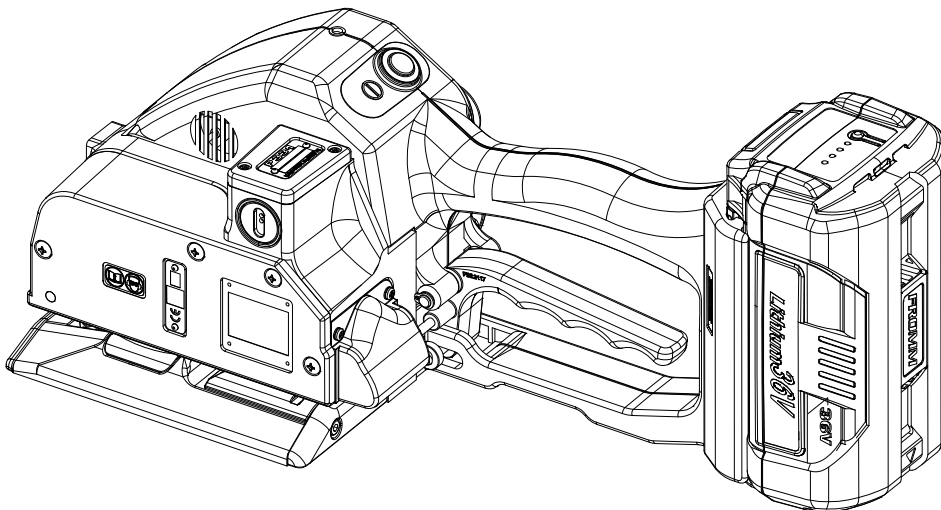


**AKKU KUNSTSTOFFBAND-
UMREIFUNGSGERÄT
MODELL P331 A/A**

43.0283.01



	Inhalt	Seite
1	Ersatzteilliste 43.0283.01	2
2	Zeichnung 43.0283.01	6

1 Ersatzteilliste 43.0283.01

43.0283.01	P331/25/0.60-0.79/7.0/A		P331.0002.01			21.04.20
Art.-Nr.		in Gruppe	Stk.	Bezeichnung	Dimension	Feld
N1.1168			3	SCHRAUBE	M5 X 16	D6
N1.1305			6	SCHRAUBE	M4 X 7.8	C1+
N1.1553		P35.0227	1	SECHSKANTSCHRAUBE	M4 X 8	B12
N1.1919			1	SCHRAUBE	M4 X 16	A6
N1.1924			1	SCHRAUBE	M4 X 65	B6
N1.1927		P33.0213	1	ZYLINDERSCHRAUBE	M4 X 60	D19
N1.1932			2	ZYLINDERSCHRAUBE	M3 X 8	A10
N1.1932		P33.0213	2	ZYLINDERSCHRAUBE	M3 X 8	B9
N1.1934		P33.0213	3	ZYLINDERSCHRAUBE	M4 X 50	D19
N1.1965			2	SCHRAUBE	M4 X 45	B6
N1.1966		P33.0213	1	SCHRAUBE	M4 X 70	D19
N1.2189		P35.0214	3	SENKSCHEIBE	M4 X 20	D13
N1.2212		P33.0208	4	SENKSCHEIBE	M4 X 25	D14
N1.2222			2	SENKSCHEIBE	M4 X 10	C1
N1.6331		P33.0213	3	DISTANZSCHEIBE	6 X 12 X 0.5	A23+
N1.6384		P33.0208	1	DISTANZSCHEIBE	11 X 17 X 0.5	C17
N1.6503			3	SICHERUNGSSCHEIBE	M5	D5
N1.6504			10	SICHERUNGSSCHEIBE	M4	C1+
N1.6504		P33.0213	5	SICHERUNGSSCHEIBE	M4	D19+
N1.6504		P35.0227	1	SICHERUNGSSCHEIBE	M4	B12
N1.6505			2	SICHERUNGSSCHEIBE	M3	A9
N1.6505		P33.0213	2	SICHERUNGSSCHEIBE	M3	C9
N1.7211		P33.0213	9	PT-SCHRAUBE	3 X 20	C19+
N1.7221		P33.0213	2	PT-SCHRAUBE	2.5 X 14	C22
N11.1116			2	SCHRAUBE	M4 X 12	A3
N2.1118		P33.0213	2	SICHERUNGSRING	6	A23+
N2.1121			1	SICHERUNGSRING	5	B12
N2.1121		P33.0213	1	SICHERUNGSRING	5	C9
N2.1606		P33.0213	1	SPRENGRING	SW6	C19
N2.1614		P33.0208	1	SPRENGRING		C14
N2.2110		P33.0201	1	ZYLINDERSTIFT	4 m6 X 10	D8
N2.2119		P35.0226	1	ZYLINDERSTIFT	4 m6 X 18	D4
N2.2147		P33.0201	2	ZYLINDERSTIFT	3 m6 X 10	C2
N2.2149		P33.0213	1	ZYLINDERSTIFT	4 h6 X 22	B16
N2.2162			2	ZYLINDERSTIFT	3 m6 X 24	B11+
N2.2165		P33.0206	1	ZYLINDERSTIFT	4 m6 X 34	C16
N2.2172		P33.0207	1	ZYLINDERSTIFT	5 m6 X 30	B15
N2.2187		P33.0201	1	ZYLINDERSTIFT	3 m6 X 6	C8
N2.2190		P33.0213	1	ZYLINDERSTIFT	6 h6 X 18	C18
N2.2443		P33.0203	1	SCHWERSPANNSTIFT	4 X 15	A7
N2.2465		P33.0213	1	SCHWERSPANNSTIFT	1.5 X 8	A23
N2.3364		P33.0213	1	PASSFEDER	2 X 2 X 6	A24
N2.4902			4	HAMMERSCHRAUBE	1.85 X 4.76	B5+
N2.5157		P33.0213	2	DRUCKFEDER	0.6 X 4.8 X 20/15.5	B8
N2.5178			2	DRUCKFEDER	0.32X2.82X20.5/20.5	C12
N2.5296		P33.0208	1	DRUCKFEDER	0.5 X 4 X 24/16.5	C16
N21.2106		P33.0207	3	ZYLINDERSTIFT	8 h6 X 50	B3
N21.2130		P35.0214	3	ZYLINDERSTIFT	5 h6 X 20	C14
N21.5124		P33.0213	1	DRUCKFEDER	0.9 X 10 X 15/5.5	A20
N21.5207		P33.0213	1	DRUCKFEDER	0.5 X 4.5 X 31/20.5	B14

[] = Gruppe

* = Verschleissenteil

43.0283.01	P331/25/0.60-0.79/7.0/A		P331.0002.01		21.04.20	
Art.-Nr.		in Gruppe	Stk.	Bezeichnung	Dimension	Feld
N21.5211			1	DRUCKFEDER	0.75 X 4.5 X 24/15.5	C11
N21.5216		P33.0203	1	DRUCKFEDER	2.8 X 15 X 34.5/7.5	B8
N21.5217		P33.0213	1	DRUCKFEDER	1.25 X 9.5 X 46.5/15.5	B15
N3.1134		P33.0202	1	KUGELLAGER	7 X 22 X7	A15
N3.1134		P33.0213	1	KUGELLAGER	7 X 22 X7	A16
N3.1159		P33.0204	1	KUGELLAGER	6 X 19 X 6	B17
N3.1160		P35.0213	1	KUGELLAGER	40 X 52 X 7	B15
N3.1174			1	KUGELLAGER	7 X 19 X 6	C5
N3.1702		P33.0213	6	KUGEL	4 MM	C10
N3.2106		P35.0214	3	NADELKAEFIG	K 5 X 8 X 10 TN	C14
N3.2111			6	NADELKAEFIG	K 8 X 11 X 10 TV	B3
N3.2347		P35.0202	2	NADELHUELSE	10 X 14 X 12	A15+
N3.3103		P35.0226	1	GLEITLAGER	10 X 12 X 20	D5
N3.3166		P33.0207	1	GLEITLAGER	10 X 12 X 12	B17
N3.3189		P33.0201	1	GLEITLAGER	8 X 10 X 8	C7
N3.3318		P33.0205	1	GLEITLAGER	8 X 10 X 4	D16
N3.4509	*	P33.0209	1	NADELFREILAUF	6 X 10 X 15	D23
N3.4509	*	P33.0210	1	NADELFREILAUF	6 X 10 X 15	C21
N3.4519		P35.0217	1	FREILAUF	8 X 12 X 22	C17
N31.1118		P33.0213	2	KUGELLAGER	10 X 19 X 5	C23
N31.1120		P33.0213	1	KUGELLAGER	4 X 11 X 4	C22
N31.1121		P35.0218	1	KUGELLAGER	45 X 58 X 7	D16
N31.1145		P35.0214	1	KUGELLAGER	45 X 55 X 6	C14
N31.1148			2	KUGELLAGER	40 X 52 X 7	B3+
N31.1151		P33.0213	2	KUGELLAGER	17 X 30 X 7	D23
N31.1163		P33.0210	1	KUGELLAGER	15 X 24 X 5	D21
N31.3111		P33.0201	1	GLEITLAGER	20 X 23 X 10	C9
N4.9159			1	SCHILD	<<CE>>	B5
N43.9181			1	AUFKLEBER	20 X 10 X 0.1	B5
N44.9104		P33.2151	1	AUFKLEBER	<<FROMM>>	D21
N44.9139		P33.2111	1	AUFKLEBER	36V	A22
N44.9139		P33.2151	1	AUFKLEBER	36V	B19
N44.9169		P33.2151	1	AUFKLEBER		D19
N44.9185			1	TYPENSCHILD		A10
N44.9191		P33.2111	1	AUFKLEBER		A22
N5.1193	*	P33.0213	1	GETRIEBEMOTOR		B20
N5.2382		P33.2120	1	MIKROSCHALTER		C23
N5.2702		P33.0213	1	DECKEL		D20
N51.2129		P33.2008	1	STECKER		B20
N51.2129		P33.2010	1	STECKER		B20
N51.2199		N51.1110	3	STECKER		C22
N51.5464		P33.0213	1	VENTILATOR		C23
N51.5477		P33.2111	1	FEDERSTIFT		B22
N6.6224		P33.0213	2	O-RING	24 X 2	C21
N6.6232		P33.0213	1	O-RING	8 X 2	B20
N61.6220		P33.0213	4	O-RING	29.5 X 3	D23
P31.1124		P33.0201	1	ROHR		B14
P32.1022		P33.0202	1	SCHWEISSEXZENTER		A15
P32.1027		P33.0213	1	KUGELKAEFIG		C10
P32.1029		P33.0213	1	DRUCKSTUECK		C10
P32.1251		P35.0227	1	SCHIEBER		B12
P32.2009		P33.2138	2	DREHKNOPF		C20

[] = Gruppe

* = Verschleissenteil

43.0283.01	P331/25/0.60-0.79/7.0/A		P331.0002.01		21.04.20	
Art.-Nr.		in Gruppe	Stk.	Bezeichnung	Dimension	Feld
P32.2012		P33.0213	1	FUEHRUNG		B16
P32.2016		P33.0204	1	ZAHNRAD		B18
[P33.0201]		P33.0213	1	KOERPER		B7
[P33.0202]		P33.0213	1	SCHWEISSEXZENTER		A15
[P33.0203]		P33.0213	1	FEDERBOLZEN		B7
[P33.0204]		P33.0213	1	ZAHNRAD		B18
[P33.0205]		P33.0208	1	GETRIEBEBECKEL		C15
[P33.0206]		P33.0208	1	HEBEL		C16
[P33.0207]		P33.0208	1	GETRIEBEGEHAEUSE		B17
[P33.0208]		P33.0213	1	GETRIEBE		B14+
[P33.0209]		P33.0213	1	KEGELRITZEL		D23
[P33.0210]		P33.0213	1	ZAHNRAD		C22
P33.0211	*	P33.0213	1	MOTOR		D22
[P33.0213]			1	BASISMODELL		D6+
P33.1236			1	FUEHRUNGSBOLZEN		D12
P33.1237			1	FUEHRUNGSBOLZEN		D12
P33.2102		P33.0201	1	KOERPER		D7
P33.2103		P33.0201	1	BOLZEN		A18
P33.2104		P33.0202	1	RITZEL		A15
P33.2105		P33.0203	1	FEDERBOLZEN		B8
P33.2106		P33.0203	1	FEDERSCHIEBER		A8
P33.2107		P33.0213	1	HALTER		A23
P33.2108		P33.0205	1	GETRIEBEBECKEL		D15
P33.2109		P33.0207	1	GETRIEBEGEHAEUSE		B16
[P33.2111]		P33.0213	1	MOTERGEHAEUSE		A22
P33.2115		P33.2138	1	DREHKNOPF		C20
P33.2117		P33.0213	1	GRIFFHEBEL		B21
[P33.2120]		P33.0213	1	SCHALTER		A21
P33.2122		P33.0209	1	KEGELRITZEL		D23
P33.2123		P33.0210	1	ZAHNRAD		C21
P33.2124		P33.0213	1	KEGELRITZEL		C22
P33.2127		N51.1110	3	SCHRUMPFSCHLAUCH		C22
P33.2130		P33.0213	1	EXZENTERWELLE		C9
P33.2131		P33.0213	1	ZAHNRAD		A23
P33.2132		P33.0213	1	DECKEL		B9
P33.2133		P33.0213	1	SCHIEBER		B14
P33.2135		P33.0213	1	EINLEGETEIL		A20
P33.2136		P33.0213	1	DECKEL		A20
P33.2137		P33.0213	1	GRIFFACHSE		C19
[P33.2138]		P33.0213	1	ELEKTRONIK	36V	B21
P33.2139			1	STAHLINSATZ		D9
P33.2142			1	ZENTRIERHUELSE		C12
P33.2143			1	DECKEL		A4
P33.2145		P33.0213	1	SCHEIBE		B22
P33.2149			1	BANDFUEHRUNG		D4
[P33.2151]		P33.0213	1	MOTERGEHAEUSE		B19
P33.2155		P33.0213	1	HUELSE		C22
P33.2230	*		1	SPANNROLLE		C4
[P35.0202]		P33.0213	1	SCHWINGE		A15
[P35.0213]		P33.0208	1	ZAHNRAD		B15
[P35.0214]		P33.0208	1	RAD		C13
[P35.0217]		P33.0208	1	SPERRRAD		C17

[] = Gruppe

* = Verschleissteil

43.0283.01	P331/25/0.60-0.79/7.0/A			P331.0002.01		21.04.20
Art.-Nr.		in Gruppe	Stk.	Bezeichnung	Dimension	Feld
[P35.0218]		P33.0208	1	ZAHNRAD		D16
[P35.0226]			1	LAGERSCHILD		D4
[P35.0227]			1	SCHIEBER		B12
P35.4104	*		1	SCHWEISSHALTEBACKE		D9
P35.4105			1	BANDFUEHRUNGSPLATTE		A3
P35.4106		P35.0202	1	SCHWINGE		A16
P35.4107	*	P33.0213	1	SCHWEISSBACKE		D10
P35.4110		P33.0213	1	MITNEHMERBOLZEN		C11
P35.4111		P33.0213	2	MITNEHMER		D10+
P35.4150		P35.0213	1	ZAHNRAD		B15
P35.4151		P35.0214	1	ZAHNRAD		C13
P35.4154		P35.0214	1	PLANETENTRAEGER		C14
P35.4155		P35.0214	3	RITZEL		C13
P35.4156		P33.0206	1	HEBEL		C16
P35.4159		P35.0217	1	ZAHNRAD		C17
P35.4160		P35.0218	1	ZAHNRAD		D16
P35.4184			1	BACKENHALTER		C3
P35.4188	*		1	HALTEBACKE		D3
P35.4189	*		1	HALTEBACKE		D3
P35.4190	*		1	HALTEBACKE		D3
P35.4193			1	BANDANSCHLAG		B1
P35.4196			3	RITZEL		B4
P35.4197		P35.0226	1	LAGERSCHILD		D4
P35.4198	*		1	TRENNMESSER		C11
P35.4199			1	FUEHRUNG		C11
P35.4202			1	FUEHRUNGSKASTEN		C12
P35.4203			1	WIPPHEBEL		C12
P35.4204			1	WIPPHEBEL		B11
P35.4205		P35.0227	1	DRUCKSTUECK		B12
P35.4210		P33.0213	1	BOLZEN		D11
P35.4213			1	DECKEL		C9

[] = Gruppe

* = Verschleissenteil

2 Zeichnung 43.0283.01

