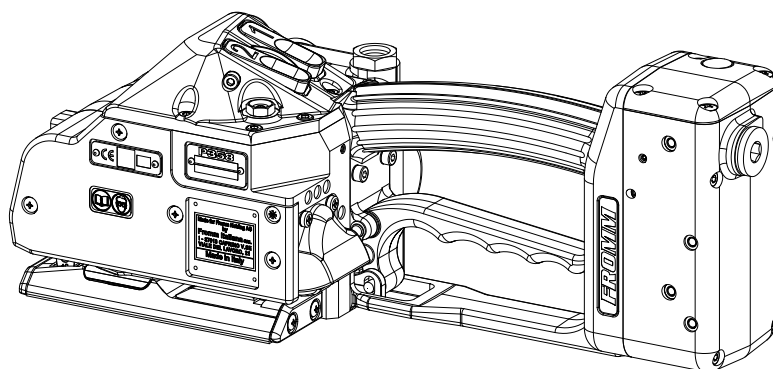


ERSATZTEILLISTE / ZEICHNUNG

**PNEUMATISCHES KUNSTSTOFFBAND-  
UMREIFUNGSGERAET  
MODELL P358**

**49.0262.01**



**INHALT**

**SEITE**

<b>1</b>	<b>ERSATZTEILLISTE 49.0262.01</b>	<b>2</b>
<b>2</b>	<b>ZEICHNUNG 49.0262.01</b>	<b>8</b>

**1 ERSATZTEILLISTE 49.0262.01**

49.0262.01	P358/16/0.65-1.05/4.0		P358.0001.01			21.12.17
Art.-Nr.		in Gruppe	Stk.	Bezeichnung	Dimension	Feld
N1.1196			3	SCHRAUBE	M4 X 16	D17
N1.1305		P35.0352	6	SCHRAUBE	M4 X 7.8	C14+
N1.1553		P35.0146	1	SECHSKANTSCHRAUBE	M4 X 8	D14
N1.1816		P35.0323	4	LINSENENKSCHRAUBE	M4 X 16	B25
N1.1910			2	ZYLINDERSCHRAUBE	M4 X 12	D16
N1.1911		P35.0352	2	ZYLINDERSCHRAUBE	M4 X 8	C14
N1.1928			1	ZYLINDERSCHRAUBE	M4 X 16	D18
N1.1930		P35.0315	1	ZYLINDERSCHRAUBE	M3 X 4	C4
N1.1934			1	ZYLINDERSCHRAUBE	M4 X 50	D18
N1.1936			1	ZYLINDERSCHRAUBE	M4 X 45	D18
N1.1943			2	ZYLINDERSCHRAUBE	M4 X 40	D18
N1.2151		P35.0315	2	SENKSCHRAUBE	M4 X 10	B1
N1.2163		P35.0325	2	SENKSCHRAUBE	M5 X 12	E9
N1.2163		P35.0352	1	SENKSCHRAUBE	M5 X 12	D22
N1.2188		P35.0340	3	SENKSCHRAUBE	M4 X 16	B21
N1.2222			2	SENKSCHRAUBE	M4 X 10	B17
N1.2239		P35.0308	3	SENKSCHRAUBE	M4 X 20	A22
N1.3128		P35.0352	1	GEWINDESTIFT	M4 X 8	D1
N1.5105		P35.0325	2	SECHSKANTMUTTER	M8	D10
N1.5602		P35.0304	1	NUTMUTTER	M10 X 1	A14
N1.6331		P35.0352	2	DISTANZSCHEIBE	6 X 12 X 0.5	C15+
N1.6504			10	SICHERUNGSSCHEIBE	M4	C16+
N1.6504		P35.0146	1	SICHERUNGSSCHEIBE	M4	D14
N1.6504		P35.0318	2	SICHERUNGSSCHEIBE	M4	A7+
N1.6504		P35.0323	4	SICHERUNGSSCHEIBE	M4	D24+
N1.6504		P35.0352	23	SICHERUNGSSCHEIBE	M4	D2+
N11.1174		P35.0352	2	SCHRAUBE	M4 X 30	D2
N11.1179		P35.0352	7	SCHRAUBE	M4 X 12	A7
N12.1153		P35.0323	4	ZYLINDERSCHRAUBE	M4 X 50	D23
N12.1153		P35.0352	2	ZYLINDERSCHRAUBE	M4 X 50	D1+
N12.1168		P35.0352	4	ZYLINDERSCHRAUBE	M4 X 20	D20+
N2.1118		P35.0352	1	SICHERUNGSRING	6	D21
N2.1121			1	SICHERUNGSRING	5	D14
N2.1121		P35.0352	4	SICHERUNGSRING	5	C11+
N2.1301		P35.0211	1	HALBMONDRING	6	F23+
N2.1601		P35.0319	1	SPRENGRING	SW12	D24
N2.1606		P35.0316	1	SPRENGRING	SW6	D8
N2.1606		P35.0352	1	SPRENGRING	SW6	C21
N2.1610		P35.0308	1	SPRENGRING	SB44	A21
N2.2101		P35.0323	1	ZYLINDERSTIFT	5 m6 X 12	E25
N2.2101		P35.0352	3	ZYLINDERSTIFT	5 m6 X 12	B5+
N2.2110		P35.0301	1	ZYLINDERSTIFT	4 m6 X 10	C13
N2.2110		P35.0352	1	ZYLINDERSTIFT	4 m6 X 10	B9
N2.2112		P35.0308	1	ZYLINDERSTIFT	3 m6 X 12	B22
N2.2114		P35.0318	1	ZYLINDERSTIFT	4 m6 X 24	B9
N2.2119		P32.0222	1	ZYLINDERSTIFT	4 m6 X 18	C17
N2.2124			1	ZYLINDERSTIFT	4 m6 X 40	B17
N2.2145		P35.0340	3	ZYLINDERSTIFT	4 h6 X 18	B20
N2.2147		P35.0301	2	ZYLINDERSTIFT	3 m6 X 10	C19
N2.2172		P35.0305	1	ZYLINDERSTIFT	5 m6 X 30	A20

[ ] = Gruppe

\* = Verschleissteil

49.0262.01	P358/16/0.65-1.05/4.0			P358.0001.01		21.12.17
Art.-Nr.		in Gruppe	Stk.	Bezeichnung	Dimension	Feld
N2.2180		P35.0335	1	ZYLINDERSTIFT	4 m6 X 16	B20
N2.2187		P35.0301	1	ZYLINDERSTIFT	3 m6 X 6	C13
N2.2190		P35.0352	1	ZYLINDERSTIFT	6 h6 X 18	C15
N2.2193			1	ZYLINDERSTIFT	3 m6 X 32	D14
N2.2401		P35.0311	1	SCHWERSPANNSTIFT	3 X 10	B3
N2.2406		P35.0312	1	SCHWERSPANNSTIFT	2.5 X 14	A2
N2.4902			2	HAMMERSCHRAUBE	1.85 X 4.76	C18
N2.4902		P35.0324	2	HAMMERSCHRAUBE	1.85 X 4.76	C18
N2.5157		P35.0352	2	DRUCKFEDER	0.6 X 4.8 X 20/15.5	B14
N2.5178			2	DRUCKFEDER	0.32X2.82X20.5/20.5	D13
N2.5237			1	DRUCKFEDER	0.8 X 4.8 X 25/18.5	D13
N2.5291		P35.0352	1	DRUCKFEDER	0.55 X 3.6 X 40/33.5	C20
N2.5296		P35.0308	1	DRUCKFEDER	0.5 X 4 X 24/16.5	B21
N2.5604		P35.0315	2	TELLERFEDER	31.5 X 16.3 X 1.25	C2+
N2.5623		P35.0325	2	TELLERFEDER	20 X 8.2 X 1/1.55	D10
N21.2145		P35.0305	3	ZYLINDERSTIFT	5 h6 X 37.3	B19
N21.5212		P35.0204	1	DRUCKFEDER	0.5 X 3.7 X 26.5/18.5	D7
N21.5212		P35.0316	1	DRUCKFEDER	0.5 X 3.7 X 26.5/18.5	E8
N21.5212		P35.0317	1	DRUCKFEDER	0.5 X 3.7 X 26.5/18.5	B9
N21.5213		P35.0211	1	DRUCKFEDER	0.32 X 8.5 X 17/6.5	F24
N21.5225		P35.0352	1	DRUCKFEDER	1.25 X 19.1 X 68/8.5	A14
N21.5226		P35.0352	1	DRUCKFEDER	1.25 X 9.5 X 47/16.5	A20
N21.5227		P35.0319	1	DRUCKFEDER	0.9 X 8.0 X 47.5/17.5	D24
N21.5228		P35.0320	1	DRUCKFEDER	0.5 X 3.4 X 40/35.5	D23
N21.5232		P35.0352	1	DRUCKFEDER	0.75 X 6.0 X 38.8/17.5	C5
N3.1172			2	KUGELLAGER	30 X 42 X 7	C18+
N3.1174		P35.0302	1	KUGELLAGER	7 X 19 X 6	B15
N3.1174		P35.0315	1	KUGELLAGER	7 X 19 X 6	A3
N3.1174		P35.0352	1	KUGELLAGER	7 X 19 X 6	B15
N3.1178		P32.0204	1	KUGELLAGER	35 X 44 X 5	A21
N3.1185			1	KUGELLAGER	5 X 16 X 5	C18
N3.1702		P35.0352	10	KUGEL	4 MM	D1+
N3.2105		P35.0340	3	NADELKAEFIG	K 4 X 7 X 7 TN	B21
N3.2107			3	NADELKAEFIG	K 5 X 9 X 13 TN	B18
N3.2347		P35.0303	2	NADELHUELSE	10 X 14 X 12	C13
N3.3150		P32.0222	1	GLEITLAGER	8 X 10 X 12	C17
N3.3172		P35.0305	1	GLEITLAGER	8 X 10 X 10	B20
N3.3331		P35.0343	1	GLEITLAGER	6 X 8 X 3	B22
N3.4509	*	P35.0313	1	NADELFREILAUF	6 X 10 X 15	B1
N3.4520	*	P35.0306	1	FREILAUF	6 X 10 X 12	A20
N3.4520	*	P35.0314	1	FREILAUF	6 X 10 X 12	A4
N31.1118		P35.0315	2	KUGELLAGER	10 X 19 X 5	C4
N31.1120		P35.0340	1	KUGELLAGER	4 X 11 X 4	B20
N31.1135		P35.0315	1	KUGELLAGER	15 X 24 X 7	A3
N31.1150		P35.0315	1	KUGELLAGER	8 X 19 X 6	C2
N31.1163		P35.0313	1	KUGELLAGER	15 X 24 X 5	C1
N31.1169		P35.0340	1	KUGELLAGER	40 X 50 X 6	B21
N31.1177		P35.0308	1	KUGELLAGER	4 X 13 X 5	B22
N31.1178		P35.0309	1	KUGELLAGER	6 X 17 X 6	C16
N31.1184		P35.0306	1	KUGELLAGER	6 X 12 X 3	A20
N31.1185		P35.0306	1	KUGELLAGER	6 X 10 X 2.5	A20
N4.5137		P35.0352	3	SCHUTZKAPPE		F23+

[ ] = Gruppe

\* = Verschleissenteil

49.0262.01	P358/16/0.65-1.05/4.0		P358.0001.01			21.12.17
Art.-Nr.		in Gruppe	Stk.	Bezeichnung	Dimension	Feld
N4.9159		P35.0324	1	SCHILD	<<CE>>	C18
N41.9127		P35.0324	1	AUFKLEBER	20 X 10 X 0.1	D19
N41.9129		P35.0352	1	AUFKLEBER	p max. 6 bar/87 psi	C2
N44.9104		P35.0323	2	AUFKLEBER	<<FROMM>>	F25+
N44.9104		P35.0352	1	AUFKLEBER	<<FROMM>>	D2
N44.9181			1	TYPENSCHILD	<<P358>>	B18
N6.3223		P35.0318	1	DRUCKANZEIGE		B7
N6.3407		P35.0304	1	KOMPLETTKOLBEN	40 X 8	A14
N6.5136		P35.0323	1	VERSCHLUSSSCHRAUBE		D24
N6.6117		P35.0204	3	DICHTUNG	6 X 13 X 2.3	C7+
N6.6117		P35.0316	2	DICHTUNG	6 X 13 X 2.3	C8+
N6.6117		P35.0317	3	DICHTUNG	6 X 13 X 2.3	B9+
N6.6117		P35.0319	4	DICHTUNG	6 X 13 X 2.3	A24+
N6.6117		P35.0320	5	DICHTUNG	6 X 13 X 2.3	A23+
N6.6123		P35.0319	2	DICHTUNG	12 X 19 X 2.3	C24
N6.6157		P35.0211	1	DICHTRING	4 MM	E24+
N6.6163		P35.0310	1	DICHTUNG	10 X 13.6 X 2.3	B5
N6.6208		P35.0316	3	O-RING	14 X 2	C8+
N6.6209		P35.0319	6	O-RING	17 X 2	A24+
N6.6209		P35.0320	6	O-RING	17 X 2	A23+
N6.6209		P35.0323	1	O-RING	17 X 2	A23
N6.6211		P35.0315	2	O-RING	16 X 2	C3
N6.6214		P35.0313	2	O-RING	23 X 2	C1
N6.6214		P35.0315	3	O-RING	23 X 2	A3+
N6.6217		P35.0352	2	O-RING	15 X 2	C3
N6.6235		P35.0310	2	O-RING	12 X 2	B5
N6.6247		P35.0316	1	O-RING	5 X 2.5	C8
N6.6247		P35.0321	1	O-RING	5 X 2.5	C26
N6.6256		P35.0322	1	O-RING	5.5 X 1.5	D25
N6.6267		P35.0321	3	O-RING	10 X 2.0	C26+
N6.6267		P35.0323	1	O-RING	10 X 2.0	C26
N6.6268		P35.0310	1	O-RING	6 X 2.5	B5
N6.6283		P35.0211	1	O-RING	4 X 1	F24
N6.6283		P35.0301	1	O-RING	4 X 1	C6
N6.6283		P35.0322	1	O-RING	4 X 1	D25
N6.6291		P35.0204	3	O-RING	11.5 X 1.5	C7+
N6.6291		P35.0317	3	O-RING	11.5 X 1.5	B9+
N6.6299		P35.0352	1	O-RING	29 X 2	D3
N6.6706		P35.0315	2	MEMBRANE		C3
N61.5606		P35.0352	1	REDUZIERSTUTZEN		C2
N61.6107		P35.0320	1	DICHTRING	12 X 7 X 2	C23
N61.6208		P35.0211	2	O-RING	9.5 X 1.5	E23+
N61.6219		P35.0352	1	O-RING	7 X 2	B5
N61.6234		P35.0315	2	O-RING	39 X 1.5	A2+
N61.6235		P35.0318	1	O-RING	35 X 2.5	C7
[P32.0204]		P35.0308	1	ZAHNRAD		A21
[P32.0222]			1	LAGERSCHILD		C17
P32.1027		P35.0352	1	KUGELKAEFIG		B12
P32.1028		P35.0352	1	BOLZEN		D12
P32.1029		P35.0352	1	DRUCKSTUECK		B12
P32.1032		P35.0352	1	MITNEHMERBOLZEN		D12
P32.1035		P35.0352	2	MITNEHMER		C11+

[ ] = Gruppe

\* = Verschleissteil

49.0262.01	P358/16/0.65-1.05/4.0			P358.0001.01		21.12.17
Art.-Nr.		in Gruppe	Stk.	Bezeichnung	Dimension	Feld
P32.1251		P35.0146	1	SCHIEBER		D14
P32.1511	*	P35.0352	1	SCHWEISSBACKE		C12
P32.1710			1	ZENTRIERHUELSE		D14
P32.8106		P35.0352	1	STAHLEINSATZ		B13
P32.8107	*	P35.0352	1	SCHWEISSHALTEBACKE		B13
P32.8108		P35.0352	1	BACKENHALTER		A18
P32.8109	*	P35.0352	1	HALTEBACKE		A18
P32.8110	*	P35.0352	1	HALTEBACKE		A19
P32.8111	*	P35.0352	1	HALTEBACKE		A19
P32.8118		P35.0352	1	BANDFUEHRUNGSPLATTE		C14
P32.8126		P32.0204	1	ZAHNRAD		A21
P32.8127		P35.0340	1	PLANETENTRAEGER		B20
P32.8159		P32.0222	1	LAGERSCHILD		C17
P32.8168			1	BANDANSCHLAG		B17
P32.8177			1	BANDFUEHRUNG		B17
P32.8302		P35.0325	1	AUFHAENGEBUEGEL		D9
[P35.0146]			1	SCHIEBER		D15
[P35.0204]		P35.0352	1	VENTIL		E7
[P35.0211]		P35.0323	2	DROSSEL		E23+
[P35.0301]		P35.0352	1	KOERPER		B19
[P35.0302]		P35.0352	1	SCHWEISSEXZENTER		B15
[P35.0303]		P35.0352	1	SCHWINGE		C13
[P35.0304]		P35.0352	1	KOLBEN		A13
[P35.0305]		P35.0308	1	GETRIEBEGEHAUESE		B20
[P35.0306]		P35.0308	1	ZAHNRAD		A20
[P35.0308]		P35.0352	1	GETRIEBE		A22
[P35.0309]		P35.0352	1	ZAHNRAD		C16
[P35.0310]		P35.0352	1	REGELSCHIEBER		C6
[P35.0311]		P35.0315	1	ENDPLATTE		B3
[P35.0312]		P35.0315	1	ENDPLATTE		B1
[P35.0313]		P35.0315	1	ZAHNRAD		C1
[P35.0314]		P35.0315	1	KEGELRITZEL		A4
[P35.0315]		P35.0352	1	MOTOR		A1
[P35.0316]		P35.0352	1	VENTIL		C9
[P35.0317]		P35.0318	1	VENTIL		B10
[P35.0318]		P35.0352	1	DECKEL		A9
[P35.0319]		P35.0323	1	VENTIL		A25
[P35.0320]		P35.0323	1	VENTIL		A23
[P35.0321]		P35.0323	1	VENTIL		C25
[P35.0322]		P35.0323	1	DROSSELSCHRAUBE		D25
[P35.0323]		P35.0352	1	GRIFF		F25
[P35.0324]			1	DECKEL		D19
[P35.0325]			1	AUFHAENGUNG		E10
[P35.0335]		P35.0308	1	HEBEL		B20
[P35.0340]		P35.0308	1	PLANETENSTUFE		C21
[P35.0343]		P35.0308	1	GETRIEBEDECKEL		A22
[P35.0352]			1	BASISMODELL		D5+
P35.1317		P35.0321	1	VENTILSCHIEBER		C26
P35.1344		P35.0352	1	STELLSCHIEBER		D1
P35.1350		P35.0321	1	GEGENHUELSE		D26
P35.2058		P35.0211	1	DROSSELKOERPER		E24+
P35.2060		P35.0211	1	DROSSELSCHRAUBE		F23+

[ ] = Gruppe

\* = Verschleissenteil

49.0262.01	P358/16/0.65-1.05/4.0			P358.0001.01		21.12.17
Art.-Nr.		in Gruppe	Stk.	Bezeichnung	Dimension	Feld
P35.2069		P35.0325	2	RASTSCHIEBE		E10
P35.2073		P35.0325	1	SCHEIBE		D10
P35.3104		P35.0340	3	PLANETENRAD		B21
P35.3143		P35.0204	2	STUETZRING		D7
P35.3143		P35.0317	2	STUETZRING		B9+
P35.3158		P35.0323	1	SCHEIBE		D24
P35.3201			3	PLANETENRAD		B18
P35.3203	*		1	SPANNROLLE		C17
P35.3214	*		1	TRENNMESSER		D13
P35.3215			1	FUEHRUNGSKASTEN		D13
P35.3216			1	FUEHRUNGSBOLZEN		D14
P35.3217			1	FUEHRUNGSBOLZEN		D14
P35.3220			1	WIPPHEBEL		C14
P35.3221			1	WIPPHEBEL		D13
P35.3223		P35.0146	1	DRUCKSTUECK		D14
P35.4112		P35.0204	1	SCHIEBER		D7
P35.4113		P35.0204	1	LUFTAUSLASSRING		C7
P35.4114		P35.0204	1	FUEHRUNG		D7
P35.4114		P35.0317	1	FUEHRUNG		B9
P35.4119		P35.0316	1	SCHIEBER		D8
P35.4121		P35.0317	1	HUELSE		C10
P35.4122		P35.0317	1	SCHIEBEBOLZEN		C10
P35.4145		P35.0211	1	DROSSELSITZ		E24+
P35.4162		P35.0310	1	ENDRING		B5
P35.4163		P35.0310	1	VENTILHUELSE		B5
P35.4172		P35.0315	2	STUETZSCHEIBE		C2+
P35.4176		P35.0315	2	HALTER		C3
P35.4180		P35.0352	2	SIEB		C3
P35.4182		P35.0352	2	SCHALLDAEMPFER		C3
P35.4207		P35.0352	1	REGELKOPF		D1
P35.5101		P35.0324	1	DECKEL		C19
P35.5102			1	DECKEL		C16
P35.5103		P35.0301	1	KOERPER		B20
P35.5104		P35.0301	1	SCHWENKACHSE		C18
P35.5105		P35.0302	1	RITZEL		C15
P35.5106		P35.0302	1	SCHWEISSEXZENTER		B15
P35.5107		P35.0303	1	SCHWINGE		C13
P35.5108		P35.0304	1	KOLBENSTANGE		A14
P35.5109		P35.0352	1	ROHR		C20
P35.5110		P35.0352	1	SCHIEBER		C20
P35.5111		P35.0301	1	DUESE		C6
P35.5112		P35.0305	1	GETRIEBEGEHAEUSE		A20
P35.5113		P35.0308	1	ZAHNRAD		B21
P35.5115		P35.0306	1	ZAHNRAD		A20
P35.5116		P35.0309	1	ZAHNRAD		C15
P35.5117		P35.0352	1	LAGERHALTER		C15
P35.5118		P35.0352	1	DICHTPLATTE		C5
P35.5119		P35.0310	1	REGELSCHIEBER		C5
P35.5122		P35.0311	1	ENDPLATTE		B3
P35.5123		P35.0312	1	ENDPLATTE		A2
P35.5124		P35.0315	1	MANTEL		B3
P35.5125	*	P35.0315	8	LAMELLE		B1

[ ] = Gruppe

\* = Verschleissenteil

49.0262.01	P358/16/0.65-1.05/4.0		P358.0001.01		21.12.17	
Art.-Nr.		in Gruppe	Stk.	Bezeichnung	Dimension	Feld
P35.5126		P35.0315	1	ROTOR		B3
P35.5127		P35.0313	1	ZAHNRAD		B1
P35.5128		P35.0313	1	DECKEL		B1
P35.5129		P35.0314	1	KEGELRITZEL		A4
P35.5130		P35.0315	1	KEGELRITZEL		C4
P35.5131		P35.0352	1	SIEB		D4
P35.5132		P35.0352	1	SCHALLDAEMPFER		D3
P35.5133		P35.0352	1	DECKEL		D3
P35.5134		P35.0315	1	MOTORGEHAEUSE		C5
P35.5135		P35.0352	1	DICHTPLATTE		E9
P35.5136		P35.0352	1	DROSSEL		E9
P35.5137		P35.0316	1	VENTILRING		C8
P35.5138		P35.0316	1	STUETZRING		C8
P35.5139		P35.0316	1	STUETZRING		D8
P35.5140		P35.0316	1	SCHEIBE		D8
P35.5141		P35.0318	1	DECKEL		B8
P35.5142		P35.0318	1	HEBEL		C7
P35.5143		P35.0318	1	HEBEL		B7
P35.5144		P35.0318	2	ACHSE		A7+
P35.5145		P35.0352	1	DICHTPLATTE		C21
P35.5146		P35.0323	1	GRIFF		D22+
P35.5147		P35.0323	1	VENTILGEHAEUSE		E25
P35.5148		P35.0319	1	ENDRING		C24
P35.5149		P35.0319	1	STUETZRING		C24
P35.5150		P35.0319	1	STUETZRING		C24
P35.5151		P35.0319	1	STUETZRING		B24
P35.5151		P35.0320	1	STUETZRING		A23
P35.5152		P35.0319	2	STUETZRING		A24+
P35.5152		P35.0320	1	STUETZRING		B23
P35.5153		P35.0319	1	ZWISCHENRING		A24
P35.5154		P35.0319	1	VENTILSCHIEBER		D24
P35.5155		P35.0320	1	ZYLINDER		D23
P35.5156		P35.0320	1	ZWISCHENRING		C23
P35.5157		P35.0320	2	STUETZRING		B23+
P35.5158		P35.0320	1	ENDRING		A23
P35.5159		P35.0320	1	VENTILSCHIEBER		C23
P35.5160		P35.0321	1	VENTILHUELSE		C26
P35.5161		P35.0323	1	DECKEL		C26
P35.5162		P35.0323	1	DICHTPLATTE		F25
P35.5163		P35.0322	1	DROSSELSCHRAUBE		D25
P35.5164		P35.0352	1	SCHEIBE		D22
P35.5165		P35.0352	1	GRIFFHEBEL		D21
P35.5166		P35.0352	1	GRIFFACHSE		C21
P35.5169		P35.0325	1	FLANSCH		E9
P35.5190		P35.0340	1	ZAHNRAD		B21
P35.5191		P35.0335	1	HEBEL		B20
P35.5192		P35.0343	1	GETRIEBEDECKEL		B22
P36.1305		P35.0211	1	FUEHRUNG		E23+
P36.1306		P35.0211	1	DROSSELHALTER		F23+

[ ] = Gruppe

\* = Verschleissenteil

2 ZEICHNUNG 49.0262.01

