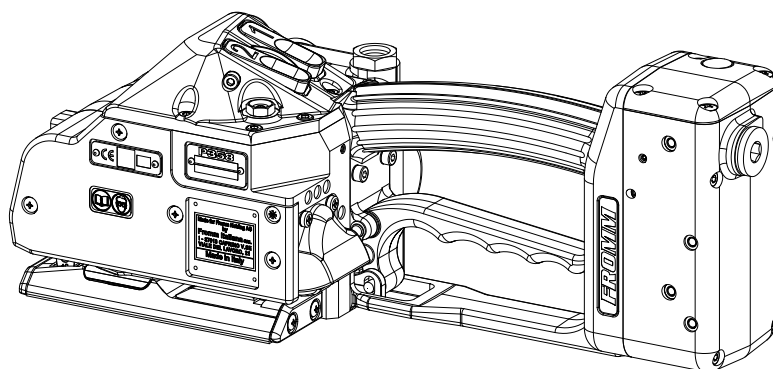


ERSATZTEILLISTE / ZEICHNUNG

**PNEUMATISCHES KUNSTSTOFFBAND-  
UMREIFUNGSGERAET  
MODELL P358**

**49.0261.01**



**INHALT**

**SEITE**

|          |                                   |          |
|----------|-----------------------------------|----------|
| <b>1</b> | <b>ERSATZTEILLISTE 49.0261.01</b> | <b>2</b> |
| <b>2</b> | <b>ZEICHNUNG 49.0261.01</b>       | <b>8</b> |

**1 ERSATZTEILLISTE 49.0261.01**

| 49.0261.01 | P358/16/0.65-1.05/2.3 |           | P358.0001.01 |                   |              | 21.12.17 |
|------------|-----------------------|-----------|--------------|-------------------|--------------|----------|
| Art.-Nr.   |                       | in Gruppe | Stk.         | Bezeichnung       | Dimension    | Feld     |
| N1.1196    |                       |           | 3            | SCHRAUBE          | M4 X 16      | D17      |
| N1.1305    |                       | P35.0351  | 6            | SCHRAUBE          | M4 X 7.8     | C14+     |
| N1.1553    |                       | P35.0146  | 1            | SECHSKANTSCHRAUBE | M4 X 8       | D14      |
| N1.1816    |                       | P35.0347  | 4            | LINSENENKSCHRAUBE | M4 X 16      | B25      |
| N1.1910    |                       |           | 2            | ZYLINDERSCHRAUBE  | M4 X 12      | D16      |
| N1.1911    |                       | P35.0351  | 2            | ZYLINDERSCHRAUBE  | M4 X 8       | C14      |
| N1.1928    |                       |           | 1            | ZYLINDERSCHRAUBE  | M4 X 16      | D18      |
| N1.1930    |                       | P35.0333  | 1            | ZYLINDERSCHRAUBE  | M3 X 4       | C4       |
| N1.1934    |                       |           | 1            | ZYLINDERSCHRAUBE  | M4 X 50      | D18      |
| N1.1936    |                       |           | 1            | ZYLINDERSCHRAUBE  | M4 X 45      | D18      |
| N1.1943    |                       |           | 2            | ZYLINDERSCHRAUBE  | M4 X 40      | D18      |
| N1.2151    |                       | P35.0333  | 2            | SENKSCHRAUBE      | M4 X 10      | B1       |
| N1.2163    |                       | P35.0325  | 2            | SENKSCHRAUBE      | M5 X 12      | E9       |
| N1.2163    |                       | P35.0351  | 1            | SENKSCHRAUBE      | M5 X 12      | D22      |
| N1.2188    |                       | P35.0340  | 3            | SENKSCHRAUBE      | M4 X 16      | B21      |
| N1.2222    |                       |           | 2            | SENKSCHRAUBE      | M4 X 10      | B17      |
| N1.2239    |                       | P35.0308  | 3            | SENKSCHRAUBE      | M4 X 20      | A22      |
| N1.3128    |                       | P35.0351  | 1            | GEWINDESTIFT      | M4 X 8       | D1       |
| N1.5105    |                       | P35.0325  | 2            | SECHSKANTMUTTER   | M8           | D10      |
| N1.5602    |                       | P35.0304  | 1            | NUTMUTTER         | M10 X 1      | A14      |
| N1.6331    |                       | P35.0351  | 2            | DISTANZSCHEIBE    | 6 X 12 X 0.5 | C15+     |
| N1.6504    |                       |           | 10           | SICHERUNGSSCHEIBE | M4           | C16+     |
| N1.6504    |                       | P35.0146  | 1            | SICHERUNGSSCHEIBE | M4           | D14      |
| N1.6504    |                       | P35.0318  | 2            | SICHERUNGSSCHEIBE | M4           | A7+      |
| N1.6504    |                       | P35.0347  | 4            | SICHERUNGSSCHEIBE | M4           | D24+     |
| N1.6504    |                       | P35.0351  | 23           | SICHERUNGSSCHEIBE | M4           | D2+      |
| N11.1174   |                       | P35.0351  | 2            | SCHRAUBE          | M4 X 30      | D2       |
| N11.1179   |                       | P35.0351  | 7            | SCHRAUBE          | M4 X 12      | A7       |
| N12.1153   |                       | P35.0347  | 4            | ZYLINDERSCHRAUBE  | M4 X 50      | D23      |
| N12.1153   |                       | P35.0351  | 2            | ZYLINDERSCHRAUBE  | M4 X 50      | D1+      |
| N12.1168   |                       | P35.0351  | 4            | ZYLINDERSCHRAUBE  | M4 X 20      | D20+     |
| N2.1118    |                       | P35.0351  | 1            | SICHERUNGSRING    | 6            | D21      |
| N2.1121    |                       |           | 1            | SICHERUNGSRING    | 5            | D14      |
| N2.1121    |                       | P35.0351  | 4            | SICHERUNGSRING    | 5            | C11+     |
| N2.1301    |                       | P35.0211  | 1            | HALBMONDRING      | 6            | F23+     |
| N2.1601    |                       | P35.0319  | 1            | SPRENGRING        | SW12         | D24      |
| N2.1606    |                       | P35.0316  | 1            | SPRENGRING        | SW6          | D8       |
| N2.1606    |                       | P35.0351  | 1            | SPRENGRING        | SW6          | C21      |
| N2.1610    |                       | P35.0308  | 1            | SPRENGRING        | SB44         | A21      |
| N2.2101    |                       | P35.0347  | 1            | ZYLINDERSTIFT     | 5 m6 X 12    | E25      |
| N2.2101    |                       | P35.0351  | 3            | ZYLINDERSTIFT     | 5 m6 X 12    | B5+      |
| N2.2110    |                       | P35.0301  | 1            | ZYLINDERSTIFT     | 4 m6 X 10    | C13      |
| N2.2110    |                       | P35.0351  | 1            | ZYLINDERSTIFT     | 4 m6 X 10    | B9       |
| N2.2112    |                       | P35.0308  | 1            | ZYLINDERSTIFT     | 3 m6 X 12    | B22      |
| N2.2114    |                       | P35.0318  | 1            | ZYLINDERSTIFT     | 4 m6 X 24    | B9       |
| N2.2119    |                       | P32.0222  | 1            | ZYLINDERSTIFT     | 4 m6 X 18    | C17      |
| N2.2124    |                       |           | 1            | ZYLINDERSTIFT     | 4 m6 X 40    | B17      |
| N2.2145    |                       | P35.0340  | 3            | ZYLINDERSTIFT     | 4 h6 X 18    | B20      |
| N2.2147    |                       | P35.0301  | 2            | ZYLINDERSTIFT     | 3 m6 X 10    | C19      |
| N2.2172    |                       | P35.0305  | 1            | ZYLINDERSTIFT     | 5 m6 X 30    | A20      |

[ ] = Gruppe

\* = Verschleissteil

| 49.0261.01 | P358/16/0.65-1.05/2.3 |           |      | P358.0001.01     |                        | 21.12.17 |
|------------|-----------------------|-----------|------|------------------|------------------------|----------|
| Art.-Nr.   |                       | in Gruppe | Stk. | Bezeichnung      | Dimension              | Feld     |
| N2.2180    |                       | P35.0335  | 1    | ZYLINDERSTIFT    | 4 m6 X 16              | B20      |
| N2.2187    |                       | P35.0301  | 1    | ZYLINDERSTIFT    | 3 m6 X 6               | C13      |
| N2.2190    |                       | P35.0351  | 1    | ZYLINDERSTIFT    | 6 h6 X 18              | C15      |
| N2.2193    |                       |           | 1    | ZYLINDERSTIFT    | 3 m6 X 32              | D14      |
| N2.2401    |                       | P35.0332  | 1    | SCHWERSPANNSTIFT | 3 X 10                 | B3       |
| N2.2406    |                       | P35.0331  | 1    | SCHWERSPANNSTIFT | 2.5 X 14               | A2       |
| N2.4902    |                       |           | 2    | HAMMERSCHRAUBE   | 1.85 X 4.76            | C18      |
| N2.4902    |                       | P35.0324  | 2    | HAMMERSCHRAUBE   | 1.85 X 4.76            | C18      |
| N2.5157    |                       | P35.0351  | 2    | DRUCKFEDER       | 0.6 X 4.8 X 20/15.5    | B14      |
| N2.5178    |                       |           | 2    | DRUCKFEDER       | 0.32X2.82X20.5/20.5    | D13      |
| N2.5237    |                       |           | 1    | DRUCKFEDER       | 0.8 X 4.8 X 25/18.5    | D13      |
| N2.5291    |                       | P35.0351  | 1    | DRUCKFEDER       | 0.55 X 3.6 X 40/33.5   | C20      |
| N2.5296    |                       | P35.0308  | 1    | DRUCKFEDER       | 0.5 X 4 X 24/16.5      | B21      |
| N2.5604    |                       | P35.0333  | 2    | TELLERFEDER      | 31.5 X 16.3 X 1.25     | C2+      |
| N2.5623    |                       | P35.0325  | 2    | TELLERFEDER      | 20 X 8.2 X 1/1.55      | D10      |
| N21.2145   |                       | P35.0305  | 3    | ZYLINDERSTIFT    | 5 h6 X 37.3            | B19      |
| N21.5212   |                       | P35.0204  | 1    | DRUCKFEDER       | 0.5 X 3.7 X 26.5/18.5  | D7       |
| N21.5212   |                       | P35.0316  | 1    | DRUCKFEDER       | 0.5 X 3.7 X 26.5/18.5  | E8       |
| N21.5212   |                       | P35.0317  | 1    | DRUCKFEDER       | 0.5 X 3.7 X 26.5/18.5  | B9       |
| N21.5213   |                       | P35.0211  | 1    | DRUCKFEDER       | 0.32 X 8.5 X 17/6.5    | F24      |
| N21.5225   |                       | P35.0351  | 1    | DRUCKFEDER       | 1.25 X 19.1 X 68/8.5   | A14      |
| N21.5226   |                       | P35.0351  | 1    | DRUCKFEDER       | 1.25 X 9.5 X 47/16.5   | A20      |
| N21.5227   |                       | P35.0319  | 1    | DRUCKFEDER       | 0.9 X 8.0 X 47.5/17.5  | D24      |
| N21.5228   |                       | P35.0320  | 1    | DRUCKFEDER       | 0.5 X 3.4 X 40/35.5    | D23      |
| N21.5232   |                       | P35.0351  | 1    | DRUCKFEDER       | 0.75 X 6.0 X 38.8/17.5 | C5       |
| N3.1172    |                       |           | 2    | KUGELLAGER       | 30 X 42 X 7            | C18+     |
| N3.1174    |                       | P35.0302  | 1    | KUGELLAGER       | 7 X 19 X 6             | B15      |
| N3.1174    |                       | P35.0333  | 1    | KUGELLAGER       | 7 X 19 X 6             | A3       |
| N3.1174    |                       | P35.0351  | 1    | KUGELLAGER       | 7 X 19 X 6             | B15      |
| N3.1178    |                       | P32.0204  | 1    | KUGELLAGER       | 35 X 44 X 5            | A21      |
| N3.1185    |                       |           | 1    | KUGELLAGER       | 5 X 16 X 5             | C18      |
| N3.1702    |                       | P35.0351  | 10   | KUGEL            | 4 MM                   | D1+      |
| N3.2105    |                       | P35.0340  | 3    | NADELKAEFIG      | K 4 X 7 X 7 TN         | B21      |
| N3.2107    |                       |           | 3    | NADELKAEFIG      | K 5 X 9 X 13 TN        | B18      |
| N3.2347    |                       | P35.0303  | 2    | NADELHUELSE      | 10 X 14 X 12           | C13      |
| N3.3150    |                       | P32.0222  | 1    | GLEITLAGER       | 8 X 10 X 12            | C17      |
| N3.3172    |                       | P35.0305  | 1    | GLEITLAGER       | 8 X 10 X 10            | B20      |
| N3.3331    |                       | P35.0343  | 1    | GLEITLAGER       | 6 X 8 X 3              | B22      |
| N3.4509    | *                     | P35.0313  | 1    | NADELFREILAUF    | 6 X 10 X 15            | B1       |
| N3.4520    | *                     | P35.0306  | 1    | FREILAUF         | 6 X 10 X 12            | A20      |
| N3.4520    | *                     | P35.0328  | 1    | FREILAUF         | 6 X 10 X 12            | A4       |
| N31.1118   |                       | P35.0333  | 2    | KUGELLAGER       | 10 X 19 X 5            | C4       |
| N31.1120   |                       | P35.0340  | 1    | KUGELLAGER       | 4 X 11 X 4             | B20      |
| N31.1135   |                       | P35.0333  | 1    | KUGELLAGER       | 15 X 24 X 7            | A3       |
| N31.1150   |                       | P35.0333  | 1    | KUGELLAGER       | 8 X 19 X 6             | C2       |
| N31.1163   |                       | P35.0313  | 1    | KUGELLAGER       | 15 X 24 X 5            | C1       |
| N31.1169   |                       | P35.0340  | 1    | KUGELLAGER       | 40 X 50 X 6            | B21      |
| N31.1177   |                       | P35.0308  | 1    | KUGELLAGER       | 4 X 13 X 5             | B22      |
| N31.1178   |                       | P35.0309  | 1    | KUGELLAGER       | 6 X 17 X 6             | C16      |
| N31.1184   |                       | P35.0306  | 1    | KUGELLAGER       | 6 X 12 X 3             | A20      |
| N31.1185   |                       | P35.0306  | 1    | KUGELLAGER       | 6 X 10 X 2.5           | A20      |
| N4.5137    |                       | P35.0351  | 3    | SCHUTZKAPPE      |                        | F23+     |

[ ] = Gruppe

\* = Verschleissenteil

| 49.0261.01 | P358/16/0.65-1.05/2.3 |           | P358.0001.01 |                    |                     | 21.12.17 |
|------------|-----------------------|-----------|--------------|--------------------|---------------------|----------|
| Art.-Nr.   |                       | in Gruppe | Stk.         | Bezeichnung        | Dimension           | Feld     |
| N4.9159    |                       | P35.0324  | 1            | SCHILD             | <<CE>>              | C18      |
| N41.9127   |                       | P35.0324  | 1            | AUFKLEBER          | 20 X 10 X 0.1       | D19      |
| N41.9129   |                       | P35.0351  | 1            | AUFKLEBER          | p max. 6 bar/87 psi | C2       |
| N44.9104   |                       | P35.0347  | 2            | AUFKLEBER          | <<FROMM>>           | F25+     |
| N44.9104   |                       | P35.0351  | 1            | AUFKLEBER          | <<FROMM>>           | D2       |
| N44.9181   |                       |           | 1            | TYPENSCHILD        | <<P358>>            | B18      |
| N6.3223    |                       | P35.0318  | 1            | DRUCKANZEIGE       |                     | B7       |
| N6.3407    |                       | P35.0304  | 1            | KOMPLETTKOLBEN     | 40 X 8              | A14      |
| N6.5136    |                       | P35.0347  | 1            | VERSCHLUSSSCHRAUBE |                     | D24      |
| N6.6117    |                       | P35.0204  | 3            | DICHTUNG           | 6 X 13 X 2.3        | C7+      |
| N6.6117    |                       | P35.0316  | 2            | DICHTUNG           | 6 X 13 X 2.3        | C8+      |
| N6.6117    |                       | P35.0317  | 3            | DICHTUNG           | 6 X 13 X 2.3        | B9+      |
| N6.6117    |                       | P35.0319  | 4            | DICHTUNG           | 6 X 13 X 2.3        | A24+     |
| N6.6117    |                       | P35.0320  | 5            | DICHTUNG           | 6 X 13 X 2.3        | A23+     |
| N6.6123    |                       | P35.0319  | 2            | DICHTUNG           | 12 X 19 X 2.3       | C24      |
| N6.6157    |                       | P35.0211  | 1            | DICHTRING          | 4 MM                | E24+     |
| N6.6163    |                       | P35.0310  | 1            | DICHTUNG           | 10 X 13.6 X 2.3     | B5       |
| N6.6208    |                       | P35.0316  | 3            | O-RING             | 14 X 2              | C8+      |
| N6.6209    |                       | P35.0319  | 6            | O-RING             | 17 X 2              | A24+     |
| N6.6209    |                       | P35.0320  | 6            | O-RING             | 17 X 2              | A23+     |
| N6.6209    |                       | P35.0347  | 1            | O-RING             | 17 X 2              | A23      |
| N6.6211    |                       | P35.0333  | 2            | O-RING             | 16 X 2              | C3       |
| N6.6214    |                       | P35.0313  | 2            | O-RING             | 23 X 2              | C1       |
| N6.6214    |                       | P35.0333  | 3            | O-RING             | 23 X 2              | A3+      |
| N6.6217    |                       | P35.0351  | 2            | O-RING             | 15 X 2              | C3       |
| N6.6235    |                       | P35.0310  | 2            | O-RING             | 12 X 2              | B5       |
| N6.6247    |                       | P35.0316  | 1            | O-RING             | 5 X 2.5             | C8       |
| N6.6247    |                       | P35.0321  | 1            | O-RING             | 5 X 2.5             | C26      |
| N6.6256    |                       | P35.0348  | 1            | O-RING             | 5.5 X 1.5           | D25      |
| N6.6267    |                       | P35.0321  | 3            | O-RING             | 10 X 2.0            | C26+     |
| N6.6267    |                       | P35.0347  | 1            | O-RING             | 10 X 2.0            | C26      |
| N6.6268    |                       | P35.0310  | 1            | O-RING             | 6 X 2.5             | B5       |
| N6.6283    |                       | P35.0211  | 1            | O-RING             | 4 X 1               | F24      |
| N6.6283    |                       | P35.0301  | 1            | O-RING             | 4 X 1               | C6       |
| N6.6283    |                       | P35.0348  | 1            | O-RING             | 4 X 1               | D25      |
| N6.6291    |                       | P35.0204  | 3            | O-RING             | 11.5 X 1.5          | C7+      |
| N6.6291    |                       | P35.0317  | 3            | O-RING             | 11.5 X 1.5          | B9+      |
| N6.6299    |                       | P35.0351  | 1            | O-RING             | 29 X 2              | D3       |
| N6.6706    |                       | P35.0333  | 2            | MEMBRANE           |                     | C3       |
| N61.5606   |                       | P35.0351  | 1            | REDUZIERSTUTZEN    |                     | C2       |
| N61.6107   |                       | P35.0320  | 1            | DICHTRING          | 12 X 7 X 2          | C23      |
| N61.6208   |                       | P35.0211  | 2            | O-RING             | 9.5 X 1.5           | E23+     |
| N61.6219   |                       | P35.0351  | 1            | O-RING             | 7 X 2               | B5       |
| N61.6234   |                       | P35.0333  | 2            | O-RING             | 39 X 1.5            | A2+      |
| N61.6235   |                       | P35.0318  | 1            | O-RING             | 35 X 2.5            | C7       |
| [P32.0204] |                       | P35.0308  | 1            | ZAHNRAD            |                     | A21      |
| [P32.0222] |                       |           | 1            | LAGERSCHILD        |                     | C17      |
| P32.1027   |                       | P35.0351  | 1            | KUGELKAEFIG        |                     | B12      |
| P32.1028   |                       | P35.0351  | 1            | BOLZEN             |                     | D12      |
| P32.1029   |                       | P35.0351  | 1            | DRUCKSTUECK        |                     | B12      |
| P32.1032   |                       | P35.0351  | 1            | MITNEHMERBOLZEN    |                     | D12      |
| P32.1035   |                       | P35.0351  | 2            | MITNEHMER          |                     | C11+     |

[ ] = Gruppe

\* = Verschleissteil

| 49.0261.01 | P358/16/0.65-1.05/2.3 |           |      | P358.0001.01        |           | 21.12.17 |
|------------|-----------------------|-----------|------|---------------------|-----------|----------|
| Art.-Nr.   |                       | in Gruppe | Stk. | Bezeichnung         | Dimension | Feld     |
| P32.1251   |                       | P35.0146  | 1    | SCHIEBER            |           | D14      |
| P32.1511   | *                     | P35.0351  | 1    | SCHWEISSBACKE       |           | C12      |
| P32.1710   |                       |           | 1    | ZENTRIERHUELSE      |           | D14      |
| P32.8106   |                       | P35.0351  | 1    | STAHLEINSATZ        |           | B13      |
| P32.8107   | *                     | P35.0351  | 1    | SCHWEISSHALTEBACKE  |           | B13      |
| P32.8108   |                       | P35.0351  | 1    | BACKENHALTER        |           | A18      |
| P32.8109   | *                     | P35.0351  | 1    | HALTEBACKE          |           | A18      |
| P32.8110   | *                     | P35.0351  | 1    | HALTEBACKE          |           | A19      |
| P32.8111   | *                     | P35.0351  | 1    | HALTEBACKE          |           | A19      |
| P32.8118   |                       | P35.0351  | 1    | BANDFUEHRUNGSPLATTE |           | C14      |
| P32.8126   |                       | P32.0204  | 1    | ZAHNRAD             |           | A21      |
| P32.8127   |                       | P35.0340  | 1    | PLANETENTRAEGER     |           | B20      |
| P32.8159   |                       | P32.0222  | 1    | LAGERSCHILD         |           | C17      |
| P32.8168   |                       |           | 1    | BANDANSCHLAG        |           | B17      |
| P32.8177   |                       |           | 1    | BANDFUEHRUNG        |           | B17      |
| P32.8302   |                       | P35.0325  | 1    | AUFHAENGEBUegel     |           | D9       |
| [P35.0146] |                       |           | 1    | SCHIEBER            |           | D15      |
| [P35.0204] |                       | P35.0351  | 1    | VENTIL              |           | E7       |
| [P35.0211] |                       | P35.0347  | 2    | DROSSEL             |           | E23+     |
| [P35.0301] |                       | P35.0351  | 1    | KOERPER             |           | B19      |
| [P35.0302] |                       | P35.0351  | 1    | SCHWEISSEXZENTER    |           | B15      |
| [P35.0303] |                       | P35.0351  | 1    | SCHWINGE            |           | C13      |
| [P35.0304] |                       | P35.0351  | 1    | KOLBEN              |           | A13      |
| [P35.0305] |                       | P35.0308  | 1    | GETRIEBEGEHAUSE     |           | B20      |
| [P35.0306] |                       | P35.0308  | 1    | ZAHNRAD             |           | A20      |
| [P35.0308] |                       | P35.0351  | 1    | GETRIEBE            |           | A22      |
| [P35.0309] |                       | P35.0351  | 1    | ZAHNRAD             |           | C16      |
| [P35.0310] |                       | P35.0351  | 1    | REGELSCHIEBER       |           | C6       |
| [P35.0313] |                       | P35.0333  | 1    | ZAHNRAD             |           | C1       |
| [P35.0316] |                       | P35.0351  | 1    | VENTIL              |           | C9       |
| [P35.0317] |                       | P35.0318  | 1    | VENTIL              |           | B10      |
| [P35.0318] |                       | P35.0351  | 1    | DECKEL              |           | A9       |
| [P35.0319] |                       | P35.0347  | 1    | VENTIL              |           | A25      |
| [P35.0320] |                       | P35.0347  | 1    | VENTIL              |           | A23      |
| [P35.0321] |                       | P35.0347  | 1    | VENTIL              |           | C25      |
| [P35.0324] |                       |           | 1    | DECKEL              |           | D19      |
| [P35.0325] |                       |           | 1    | AUFHAENGUNG         |           | E10      |
| [P35.0328] |                       | P35.0333  | 1    | KEGELRITZEL         |           | A4       |
| [P35.0331] |                       | P35.0333  | 1    | ENDPLATTE           |           | B1       |
| [P35.0332] |                       | P35.0333  | 1    | ENDPLATTE           |           | B3       |
| [P35.0333] |                       | P35.0351  | 1    | MOTOR               |           | A1       |
| [P35.0335] |                       | P35.0308  | 1    | HEBEL               |           | B20      |
| [P35.0340] |                       | P35.0308  | 1    | PLANETENSTUFE       |           | C21      |
| [P35.0343] |                       | P35.0308  | 1    | GETRIEBEBECKEL      |           | A22      |
| [P35.0347] |                       | P35.0351  | 1    | GRIFF               |           | F25      |
| [P35.0348] |                       | P35.0347  | 1    | DROSSELSCHRAUBE     |           | D25      |
| [P35.0351] |                       |           | 1    | BASISMODELL         |           | D5+      |
| P35.1317   |                       | P35.0321  | 1    | VENTILSCHIEBER      |           | C26      |
| P35.1344   |                       | P35.0351  | 1    | STELLSCHIEBER       |           | D1       |
| P35.1350   |                       | P35.0321  | 1    | GEGENHUELSE         |           | D26      |
| P35.2058   |                       | P35.0211  | 1    | DROSSELKOERPER      |           | E24+     |
| P35.2060   |                       | P35.0211  | 1    | DROSSELSCHRAUBE     |           | F23+     |

[ ] = Gruppe

\* = Verschleissenteil

| 49.0261.01 | P358/16/0.65-1.05/2.3 |           |      | P358.0001.01     |           | 21.12.17 |
|------------|-----------------------|-----------|------|------------------|-----------|----------|
| Art.-Nr.   |                       | in Gruppe | Stk. | Bezeichnung      | Dimension | Feld     |
| P35.2069   |                       | P35.0325  | 2    | RASTSCHIEBE      |           | E10      |
| P35.2073   |                       | P35.0325  | 1    | SCHEIBE          |           | D10      |
| P35.3104   |                       | P35.0340  | 3    | PLANETENRAD      |           | B21      |
| P35.3143   |                       | P35.0204  | 2    | STUETZRING       |           | D7       |
| P35.3143   |                       | P35.0317  | 2    | STUETZRING       |           | B9+      |
| P35.3158   |                       | P35.0347  | 1    | SCHEIBE          |           | D24      |
| P35.3201   |                       |           | 3    | PLANETENRAD      |           | B18      |
| P35.3203   | *                     |           | 1    | SPANNROLLE       |           | C17      |
| P35.3214   | *                     |           | 1    | TRENNMESSER      |           | D13      |
| P35.3215   |                       |           | 1    | FUEHRUNGSKASTEN  |           | D13      |
| P35.3216   |                       |           | 1    | FUEHRUNGSBOLZEN  |           | D14      |
| P35.3217   |                       |           | 1    | FUEHRUNGSBOLZEN  |           | D14      |
| P35.3220   |                       |           | 1    | WIPPHEBEL        |           | C14      |
| P35.3221   |                       |           | 1    | WIPPHEBEL        |           | D13      |
| P35.3223   |                       | P35.0146  | 1    | DRUCKSTUECK      |           | D14      |
| P35.4112   |                       | P35.0204  | 1    | SCHIEBER         |           | D7       |
| P35.4113   |                       | P35.0204  | 1    | LUFTAUSLASSRING  |           | C7       |
| P35.4114   |                       | P35.0204  | 1    | FUEHRUNG         |           | D7       |
| P35.4114   |                       | P35.0317  | 1    | FUEHRUNG         |           | B9       |
| P35.4119   |                       | P35.0316  | 1    | SCHIEBER         |           | D8       |
| P35.4121   |                       | P35.0317  | 1    | HUELSE           |           | C10      |
| P35.4122   |                       | P35.0317  | 1    | SCHIEBEBOLZEN    |           | C10      |
| P35.4145   |                       | P35.0211  | 1    | DROSSELSITZ      |           | E24+     |
| P35.4162   |                       | P35.0310  | 1    | ENDRING          |           | B5       |
| P35.4163   |                       | P35.0310  | 1    | VENTILHUELSE     |           | B5       |
| P35.4172   |                       | P35.0333  | 2    | STUETZSCHEIBE    |           | C2+      |
| P35.4176   |                       | P35.0333  | 2    | HALTER           |           | C3       |
| P35.4180   |                       | P35.0351  | 2    | SIEB             |           | C3       |
| P35.4182   |                       | P35.0351  | 2    | SCHALLDAEMPFER   |           | C3       |
| P35.4207   |                       | P35.0351  | 1    | REGELKOPF        |           | D1       |
| P35.5101   |                       | P35.0324  | 1    | DECKEL           |           | C19      |
| P35.5102   |                       |           | 1    | DECKEL           |           | C16      |
| P35.5103   |                       | P35.0301  | 1    | KOERPER          |           | B20      |
| P35.5104   |                       | P35.0301  | 1    | SCHWENKACHSE     |           | C18      |
| P35.5105   |                       | P35.0302  | 1    | RITZEL           |           | C15      |
| P35.5106   |                       | P35.0302  | 1    | SCHWEISSEXZENTER |           | B15      |
| P35.5107   |                       | P35.0303  | 1    | SCHWINGE         |           | C13      |
| P35.5108   |                       | P35.0304  | 1    | KOLBENSTANGE     |           | A14      |
| P35.5109   |                       | P35.0351  | 1    | ROHR             |           | C20      |
| P35.5110   |                       | P35.0351  | 1    | SCHIEBER         |           | C20      |
| P35.5111   |                       | P35.0301  | 1    | DUESE            |           | C6       |
| P35.5112   |                       | P35.0305  | 1    | GETRIEBEGEHAEUSE |           | A20      |
| P35.5113   |                       | P35.0308  | 1    | ZAHNRAD          |           | B21      |
| P35.5115   |                       | P35.0306  | 1    | ZAHNRAD          |           | A20      |
| P35.5116   |                       | P35.0309  | 1    | ZAHNRAD          |           | C15      |
| P35.5117   |                       | P35.0351  | 1    | LAGERHALTER      |           | C15      |
| P35.5118   |                       | P35.0351  | 1    | DICHTPLATTE      |           | C5       |
| P35.5119   |                       | P35.0310  | 1    | REGELSCHIEBER    |           | C5       |
| P35.5125   | *                     | P35.0333  | 8    | LAMELLE          |           | B1       |
| P35.5126   |                       | P35.0333  | 1    | ROTOR            |           | B3       |
| P35.5127   |                       | P35.0313  | 1    | ZAHNRAD          |           | B1       |
| P35.5128   |                       | P35.0313  | 1    | DECKEL           |           | B1       |

[ ] = Gruppe

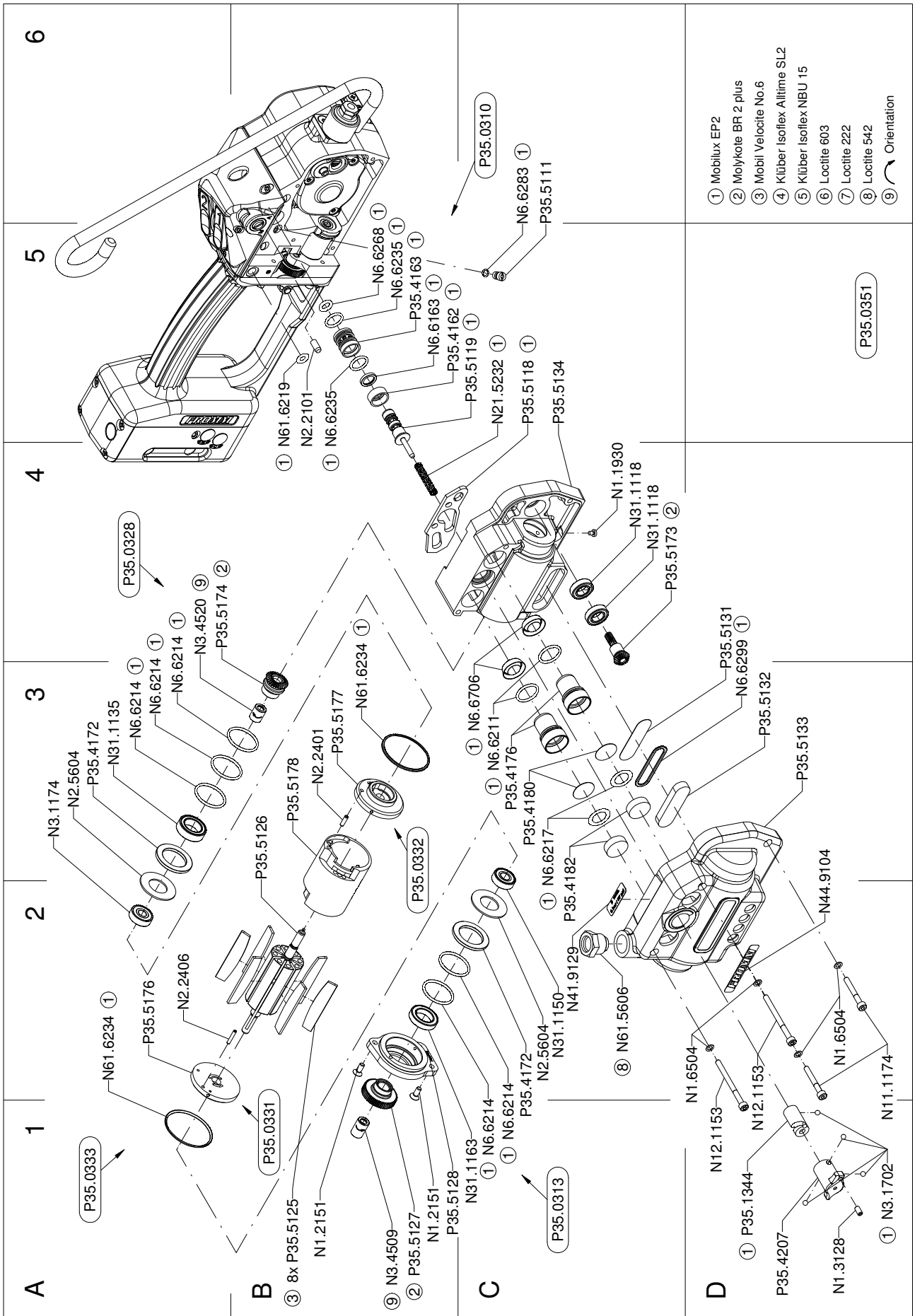
\* = Verschleissenteil

| 49.0261.01 | P358/16/0.65-1.05/2.3 |           |      | P358.0001.01    |           | 21.12.17 |
|------------|-----------------------|-----------|------|-----------------|-----------|----------|
| Art.-Nr.   |                       | in Gruppe | Stk. | Bezeichnung     | Dimension | Feld     |
| P35.5131   |                       | P35.0351  | 1    | SIEB            |           | D4       |
| P35.5132   |                       | P35.0351  | 1    | SCHALLDAEMPFER  |           | D3       |
| P35.5133   |                       | P35.0351  | 1    | DECKEL          |           | D3       |
| P35.5134   |                       | P35.0333  | 1    | MOTORGEHAEUSE   |           | C5       |
| P35.5135   |                       | P35.0351  | 1    | DICHTPLATTE     |           | E9       |
| P35.5136   |                       | P35.0351  | 1    | DROSSEL         |           | E9       |
| P35.5137   |                       | P35.0316  | 1    | VENTILRING      |           | C8       |
| P35.5138   |                       | P35.0316  | 1    | STUETZRING      |           | C8       |
| P35.5139   |                       | P35.0316  | 1    | STUETZRING      |           | D8       |
| P35.5140   |                       | P35.0316  | 1    | SCHEIBE         |           | D8       |
| P35.5141   |                       | P35.0318  | 1    | DECKEL          |           | B8       |
| P35.5142   |                       | P35.0318  | 1    | HEBEL           |           | C7       |
| P35.5143   |                       | P35.0318  | 1    | HEBEL           |           | B7       |
| P35.5144   |                       | P35.0318  | 2    | ACHSE           |           | A7+      |
| P35.5145   |                       | P35.0351  | 1    | DICHTPLATTE     |           | C21      |
| P35.5146   |                       | P35.0347  | 1    | GRIFF           |           | D22+     |
| P35.5147   |                       | P35.0347  | 1    | VENTILGEHAEUSE  |           | E25      |
| P35.5148   |                       | P35.0319  | 1    | ENDRING         |           | C24      |
| P35.5149   |                       | P35.0319  | 1    | STUETZRING      |           | C24      |
| P35.5150   |                       | P35.0319  | 1    | STUETZRING      |           | C24      |
| P35.5151   |                       | P35.0319  | 1    | STUETZRING      |           | B24      |
| P35.5151   |                       | P35.0320  | 1    | STUETZRING      |           | A23      |
| P35.5152   |                       | P35.0319  | 2    | STUETZRING      |           | A24+     |
| P35.5152   |                       | P35.0320  | 1    | STUETZRING      |           | B23      |
| P35.5153   |                       | P35.0319  | 1    | ZWISCHENRING    |           | A24      |
| P35.5154   |                       | P35.0319  | 1    | VENTILSCHIEBER  |           | D24      |
| P35.5155   |                       | P35.0320  | 1    | ZYLINDER        |           | D23      |
| P35.5156   |                       | P35.0320  | 1    | ZWISCHENRING    |           | C23      |
| P35.5157   |                       | P35.0320  | 2    | STUETZRING      |           | B23+     |
| P35.5158   |                       | P35.0320  | 1    | ENDRING         |           | A23      |
| P35.5159   |                       | P35.0320  | 1    | VENTILSCHIEBER  |           | C23      |
| P35.5160   |                       | P35.0321  | 1    | VENTILHUELSE    |           | C26      |
| P35.5161   |                       | P35.0347  | 1    | DECKEL          |           | C26      |
| P35.5162   |                       | P35.0347  | 1    | DICHTPLATTE     |           | F25      |
| P35.5164   |                       | P35.0351  | 1    | SCHEIBE         |           | D22      |
| P35.5165   |                       | P35.0351  | 1    | GRIFFHEBEL      |           | D21      |
| P35.5166   |                       | P35.0351  | 1    | GRIFFACHSE      |           | C21      |
| P35.5169   |                       | P35.0325  | 1    | FLANSCH         |           | E9       |
| P35.5173   |                       | P35.0333  | 1    | KEGELRITZEL     |           | C4       |
| P35.5174   |                       | P35.0328  | 1    | KEGELRITZEL     |           | A4       |
| P35.5176   |                       | P35.0331  | 1    | ENDPLATTE       |           | A2       |
| P35.5177   |                       | P35.0332  | 1    | ENDPLATTE       |           | B3       |
| P35.5178   |                       | P35.0333  | 1    | MANTEL          |           | B3       |
| P35.5190   |                       | P35.0340  | 1    | ZAHNRAD         |           | B21      |
| P35.5191   |                       | P35.0335  | 1    | HEBEL           |           | B20      |
| P35.5192   |                       | P35.0343  | 1    | GETRIEBEDECKEL  |           | B22      |
| P35.5193   |                       | P35.0348  | 1    | DROSSELSCHRAUBE |           | D25      |
| P36.1305   |                       | P35.0211  | 1    | FUEHRUNG        |           | E23+     |
| P36.1306   |                       | P35.0211  | 1    | DROSSELHALTER   |           | F23+     |

[ ] = Gruppe

\* = Verschleissenteil

2 ZEICHNUNG 49.0261.01



- ① Mobilux EP2
- ② Molykote BR 2 plus
- ③ Mobil Velocite No.6
- ④ Klüber Isoflex Alltime SL2
- ⑤ Klüber Isoflex NBU 15
- ⑥ Locitite 603
- ⑦ Locitite 222
- ⑧ Locitite 542
- ⑨ Orientation

P35.0351



