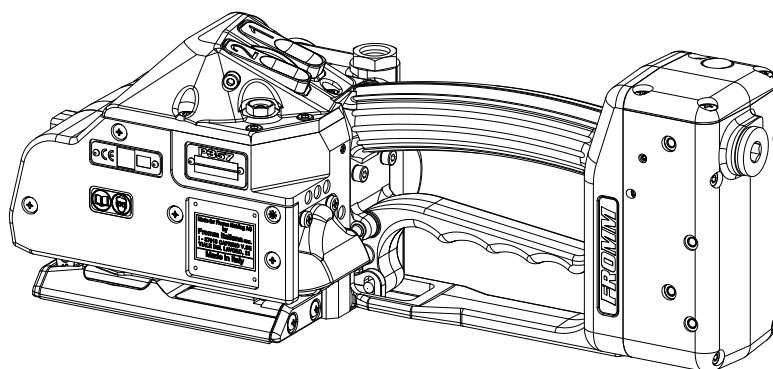


SPARE PARTS LIST / DRAWINGS

**PNEUMATIC  
PLASTIC STRAPPING TOOL  
MODEL P357**

**49.0212.01**



**INDEX**

**PAGE**

<b>1</b>	<b>SPARE PARTS LIST 49.0212.01</b>	<b>2</b>
<b>2</b>	<b>DRAWING 49.0212.01</b>	<b>8</b>

**1 SPARE PARTS LIST 49.0212.01**

49.0212.01	P357/12.7/0.40-0.64/2.5		P357.0001.01			20.12.17
Item-No.		in group	Pcs.	Description	Dimension	Field
N1.1196			3	SCREW	M4 X 16	D17
N1.1305			4	SCREW	M4 X 7.8	C19
N1.1305		P35.0350	2	SCREW	M4 X 7.8	C14
N1.1553		P32.1250	1	HEXAGON SCREW	M4 X 8	D14
N1.1816		P35.0347	4	RAISED CTRS. HEAD SCREW	M4 X 16	B25
N1.1910			2	FLAT HEAD SCREW	M4 X 12	D16
N1.1911		P35.0350	2	FLAT HEAD SCREW	M4 X 8	C14
N1.1928			1	FLAT HEAD SCREW	M4 X 16	D18
N1.1930		P35.0333	1	FLAT HEAD SCREW	M3 X 4	C4
N1.1934			1	FLAT HEAD SCREW	M4 X 50	D18
N1.1936			1	FLAT HEAD SCREW	M4 X 45	D18
N1.1943			2	FLAT HEAD SCREW	M4 X 40	D18
N1.2151		P35.0333	2	COUNTERSUNK SCREW	M4 X 10	B1
N1.2163		P35.0325	2	COUNTERSUNK SCREW	M5 X 12	E9
N1.2163		P35.0350	1	COUNTERSUNK SCREW	M5 X 12	D22
N1.2188		P35.0342	3	COUNTERSUNK SCREW	M4 X 16	B21
N1.2222			2	COUNTERSUNK SCREW	M4 X 10	B17
N1.2239		P35.0344	3	COUNTERSUNK SCREW	M4 X 20	A22
N1.3128		P35.0350	1	SOCKET SET SCREW	M4 X 8	D1
N1.5105		P35.0325	2	HEXAGON NUT	M8	D10
N1.5602		P35.0304	1	SLOTTED ROUND NUT	M10 X 1	A14
N1.6331		P35.0350	2	SPACER WASHER	6 X 12 X 0.5	C15+
N1.6504			14	SAFETY WASHER	M4	C16+
N1.6504		P32.1250	1	SAFETY WASHER	M4	D14
N1.6504		P35.0318	2	SAFETY WASHER	M4	A7+
N1.6504		P35.0347	4	SAFETY WASHER	M4	D24+
N1.6504		P35.0350	19	SAFETY WASHER	M4	D2+
N11.1174		P35.0350	2	SCREW	M4 X 30	D2
N11.1179		P35.0350	7	SCREW	M4 X 12	A7
N12.1153		P35.0347	4	FLAT HEAD SCREW	M4 X 50	D23
N12.1153		P35.0350	2	FLAT HEAD SCREW	M4 X 50	D1+
N12.1168		P35.0350	4	FLAT HEAD SCREW	M4 X 20	D20+
N2.1118		P35.0350	1	SECURITY RING	6	D21
N2.1121			1	SECURITY RING	5	D14
N2.1121		P35.0350	4	SECURITY RING	5	C11+
N2.1301		P35.0211	1	CIRCLIP	6	F23+
N2.1601		P35.0319	1	SPRING RING	SW12	D24
N2.1606		P35.0316	1	SPRING RING	SW6	D8
N2.1606		P35.0350	1	SPRING RING	SW6	C21
N2.1610		P35.0344	1	SPRING RING	SB44	A21
N2.2101		P35.0347	1	PARALLEL PIN	5 m6 X 12	E25
N2.2101		P35.0350	3	PARALLEL PIN	5 m6 X 12	B5+
N2.2110		P35.0330	1	PARALLEL PIN	4 m6 X 10	C13
N2.2110		P35.0350	1	PARALLEL PIN	4 m6 X 10	B9
N2.2112		P35.0344	1	PARALLEL PIN	3 m6 X 12	B22
N2.2114		P35.0318	1	PARALLEL PIN	4 m6 X 24	B9
N2.2119		P32.0222	1	PARALLEL PIN	4 m6 X 18	C17
N2.2124			1	PARALLEL PIN	4 m6 X 40	B17
N2.2145		P35.0342	3	PARALLEL PIN	4 h6 X 18	B20
N2.2147		P35.0330	2	PARALLEL PIN	3 m6 X 10	C19

[ ] = Group

\* = Wearing parts

49.0212.01	P357/12.7/0.40-0.64/2.5		P357.0001.01			20.12.17
Item-No.		in group	Pcs.	Description	Dimension	Field
N2.2172		P35.0305	1	PARALLEL PIN	5 m6 X 30	A20
N2.2180		P35.0335	1	PARALLEL PIN	4 m6 X 16	B20
N2.2187		P35.0330	1	PARALLEL PIN	3 m6 X 6	C13
N2.2190		P35.0350	1	PARALLEL PIN	6 h6 X 18	C15
N2.2193			1	PARALLEL PIN	3 m6 X 32	D14
N2.2401		P35.0332	1	DOWEL PIN	3 X 10	B3
N2.2406		P35.0331	1	DOWEL PIN	2.5 X 14	A2
N2.4902			2	HAMMER HEAD BOLT	1.85 X 4.76	C18
N2.4902		P35.0324	2	HAMMER HEAD BOLT	1.85 X 4.76	C18
N2.5157		P35.0350	2	PRESSURE SPRING	0.6 X 4.8 X 20/15.5	B14
N2.5178			2	PRESSURE SPRING	0.32X2.82X20.5/20.5	D13
N2.5237			1	PRESSURE SPRING	0.8 X 4.8 X 25/18.5	D13
N2.5291		P35.0350	1	PRESSURE SPRING	0.55 X 3.6 X 40/33.5	C20
N2.5296		P35.0344	1	PRESSURE SPRING	0.5 X 4 X 24/16.5	B21
N2.5604		P35.0333	2	CUP SPRING	31.5 X 16.3 X 1.25	C2+
N2.5623		P35.0325	2	CUP SPRING	20 X 8.2 X 1/1.55	D10
N21.2145		P35.0305	3	PARALLEL PIN	5 h6 X 37.3	B19
N21.5212		P35.0204	1	PRESSURE SPRING	0.5 X 3.7 X 26.5/18.5	D7
N21.5212		P35.0316	1	PRESSURE SPRING	0.5 X 3.7 X 26.5/18.5	E8
N21.5212		P35.0317	1	PRESSURE SPRING	0.5 X 3.7 X 26.5/18.5	B9
N21.5213		P35.0211	1	PRESSURE SPRING	0.32 X 8.5 X 17/6.5	F24
N21.5225		P35.0350	1	PRESSURE SPRING	1.25 X 19.1 X 68/8.5	A14
N21.5226		P35.0350	1	PRESSURE SPRING	1.25 X 9.5 X 47/16.5	A20
N21.5227		P35.0319	1	PRESSURE SPRING	0.9 X 8.0 X 47.5/17.5	D24
N21.5228		P35.0320	1	PRESSURE SPRING	0.5 X 3.4 X 40/35.5	D23
N21.5232		P35.0350	1	PRESSURE SPRING	0.75 X 6.0 X 38.8/17.5	C5
N3.1172			2	BALL BEARING	30 X 42 X 7	C18+
N3.1174		P35.0302	1	BALL BEARING	7 X 19 X 6	B15
N3.1174		P35.0333	1	BALL BEARING	7 X 19 X 6	A3
N3.1174		P35.0350	1	BALL BEARING	7 X 19 X 6	B15
N3.1178		P35.0341	1	BALL BEARING	35 X 44 X 5	A21
N3.1185			1	BALL BEARING	5 X 16 X 5	C18
N3.1702		P35.0350	10	BALL	4 MM	D1+
N3.2105		P35.0342	3	NEEDLE CAGE	K 4 X 7 X 7 TN	B21
N3.2107			3	NEEDLE CAGE	K 5 X 9 X 13 TN	B18
N3.2347		P35.0303	2	NEEDLE BUSH	10 X 14 X 12	C13
N3.3150		P32.0222	1	SLIDE-BEARING	8 X 10 X 12	C17
N3.3172		P35.0305	1	SLIDE-BEARING	8 X 10 X 10	B20
N3.3331		P35.0343	1	SLIDE-BEARING	6 X 8 X 3	B22
N3.4509	*	P35.0313	1	NEEDLE FREE WHEELING	6 X 10 X 15	B1
N3.4520	*	P35.0306	1	FREE-WHEELING	6 X 10 X 12	A20
N3.4520	*	P35.0328	1	FREE-WHEELING	6 X 10 X 12	A4
N31.1118		P35.0333	2	BALL BEARING	10 X 19 X 5	C4
N31.1120		P35.0342	1	BALL BEARING	4 X 11 X 4	B20
N31.1135		P35.0333	1	BALL BEARING	15 X 24 X 7	A3
N31.1150		P35.0333	1	BALL BEARING	8 X 19 X 6	C2
N31.1163		P35.0313	1	BALL BEARING	15 X 24 X 5	C1
N31.1169		P35.0342	1	BALL BEARING	40 X 50 X 6	B21
N31.1177		P35.0344	1	BALL BEARING	4 X 13 X 5	B22
N31.1178		P35.0309	1	BALL BEARING	6 X 17 X 6	C16
N31.1184		P35.0306	1	BALL BEARING	6 X 12 X 3	A20
N31.1185		P35.0306	1	BALL BEARING	6 X 10 X 2.5	A20

[ ] = Group

\* = Wearing parts

49.0212.01	P357/12.7/0.40-0.64/2.5		P357.0001.01		20.12.17	
Item-No.		in group	Pcs.	Description	Dimension	Field
N4.5137		P35.0350	3	PROTECTING CAP		F23+
N4.9159		P35.0324	1	LABEL	<<CE>>	C18
N41.9127		P35.0324	1	ADHESIVE LABEL	20 X 10 X 0.1	D19
N41.9129		P35.0350	1	ADHESIVE LABEL	p max. 6 bar/87 psi	C2
N44.9104		P35.0347	2	ADHESIVE LABEL	<<FROMM>>	F25+
N44.9104		P35.0350	1	ADHESIVE LABEL	<<FROMM>>	D2
N44.9182			1	TYPE PLATE	<<P357>>	B18
N6.3223		P35.0318	1	PRESSURE READING		B7
N6.3407		P35.0304	1	PISTON ASSEMBLY	40 X 8	A14
N6.5136		P35.0347	1	SEALING SCREW		D24
N6.6117		P35.0204	3	SEAL	6 X 13 X 2.3	C7+
N6.6117		P35.0316	2	SEAL	6 X 13 X 2.3	C8+
N6.6117		P35.0317	3	SEAL	6 X 13 X 2.3	B9+
N6.6117		P35.0319	4	SEAL	6 X 13 X 2.3	A24+
N6.6117		P35.0320	5	SEAL	6 X 13 X 2.3	A23+
N6.6123		P35.0319	2	SEAL	12 X 19 X 2.3	C24
N6.6157		P35.0211	1	PACKING RING	4 MM	E24+
N6.6163		P35.0310	1	SEAL	10 X 13.6 X 2.3	B5
N6.6208		P35.0316	3	O-RING	14 X 2	C8+
N6.6209		P35.0319	6	O-RING	17 X 2	A24+
N6.6209		P35.0320	6	O-RING	17 X 2	A23+
N6.6209		P35.0347	1	O-RING	17 X 2	A23
N6.6211		P35.0333	2	O-RING	16 X 2	C3
N6.6214		P35.0313	2	O-RING	23 X 2	C1
N6.6214		P35.0333	3	O-RING	23 X 2	A3+
N6.6217		P35.0350	2	O-RING	15 X 2	C3
N6.6235		P35.0310	2	O-RING	12 X 2	B5
N6.6247		P35.0316	1	O-RING	5 X 2.5	C8
N6.6247		P35.0321	1	O-RING	5 X 2.5	C26
N6.6256		P35.0348	1	O-RING	5.5 X 1.5	D25
N6.6267		P35.0321	3	O-RING	10 X 2.0	C26+
N6.6267		P35.0347	1	O-RING	10 X 2.0	C26
N6.6268		P35.0310	1	O-RING	6 X 2.5	B5
N6.6283		P35.0211	1	O-RING	4 X 1	F24
N6.6283		P35.0330	1	O-RING	4 X 1	C6
N6.6283		P35.0348	1	O-RING	4 X 1	D25
N6.6291		P35.0204	3	O-RING	11.5 X 1.5	C7+
N6.6291		P35.0317	3	O-RING	11.5 X 1.5	B9+
N6.6299		P35.0350	1	O-RING	29 X 2	D3
N6.6706		P35.0333	2	DIAPHRAGM		C3
N61.5606		P35.0350	1	REDUCING COUPLING		C2
N61.6107		P35.0320	1	PACKING RING	12 X 7 X 2	C23
N61.6208		P35.0211	2	O-RING	9.5 X 1.5	E23+
N61.6219		P35.0350	1	O-RING	7 X 2	B5
N61.6234		P35.0333	2	O-RING	39 X 1.5	A2+
N61.6235		P35.0318	1	O-RING	35 X 2.5	C7
[P32.0222]			1	END COVER		C17
P32.1027		P35.0350	1	BALL CAGE		B12
P32.1028		P35.0350	1	BOLT		D12
P32.1029		P35.0350	1	THRUST PIECE		B12
P32.1032		P35.0350	1	DRIVING PIN		D12
P32.1035		P35.0350	2	DRIVER		C11+

[ ] = Group

\* = Wearing parts

49.0212.01	P357/12.7/0.40-0.64/2.5		P357.0001.01		20.12.17	
Item-No.		in group	Pcs.	Description	Dimension	Field
[P32.1250]			1	PUSHER		D15
P32.1251		P32.1250	1	PUSHER		D14
P32.1252		P32.1250	1	THRUST PIECE		D14
P32.1511	*	P35.0350	1	WELDING GRIPPER		C12
P32.1710			1	CENTERING SLEEVE		D14
P32.8106		P35.0350	1	STEEL INSERT		B13
P32.8107	*	P35.0350	1	WELDING STOP GRIPPER		B13
P32.8108			1	HOLDER		A18
P32.8112	*		1	GRIPPER		A18
P32.8113	*		1	GRIPPER		A19
P32.8114	*		1	GRIPPER		A19
P32.8118		P35.0350	1	STRAP GUIDE PLATE		C14
P32.8159		P32.0222	1	END COVER		C17
P32.8163			1	STRAP STOP		B17
P32.8173			1	STRAP GUIDE		B17
P32.8179			1	GUIDE CASE		D13
P32.8183			1	GUIDE PIN		D14
P32.8191			1	GUIDE PIN		D14
P32.8197			1	CUTTER		D13
P32.8302		P35.0325	1	SUSPENSION BRACKET		D9
[P35.0204]		P35.0350	1	VALVE		E7
[P35.0211]		P35.0347	2	THROTTLE		E23+
[P35.0302]		P35.0350	1	WELDING EXCENTRIC		B15
[P35.0303]		P35.0350	1	ROCKER		C13
[P35.0304]		P35.0350	1	PISTON		A13
[P35.0305]		P35.0344	1	GEAR BODY		B20
[P35.0306]		P35.0344	1	GEAR WHEEL		A20
[P35.0309]		P35.0350	1	GEAR WHEEL		C16
[P35.0310]		P35.0350	1	CONTROL ROD		C6
[P35.0313]		P35.0333	1	GEAR WHEEL		C1
[P35.0316]		P35.0350	1	VALVE		C9
[P35.0317]		P35.0318	1	VALVE		B10
[P35.0318]		P35.0350	1	COVER		A9
[P35.0319]		P35.0347	1	VALVE		A25
[P35.0320]		P35.0347	1	VALVE		A23
[P35.0321]		P35.0347	1	VALVE		C25
[P35.0324]			1	COVER		D19
[P35.0325]			1	SUSPENSION		E10
[P35.0328]		P35.0333	1	CONICAL GEAR WHEEL		A4
[P35.0330]		P35.0350	1	BODY		B19
[P35.0331]		P35.0333	1	END PLATE		B1
[P35.0332]		P35.0333	1	END PLATE		B3
[P35.0333]		P35.0350	1	MOTOR		A1
[P35.0335]		P35.0344	1	LEVER		B20
[P35.0341]		P35.0344	1	GEAR WHEEL		A21
[P35.0342]		P35.0344	1	IDLER STEP		C21
[P35.0343]		P35.0344	1	GEARING COVER		A22
[P35.0344]		P35.0350	1	GEAR		A22
[P35.0347]		P35.0350	1	HANDLE		F25
[P35.0348]		P35.0347	1	THROTTLE SCREW		D25
[P35.0350]			1	BASE MODEL		D5+
P35.1317		P35.0321	1	VALVE STEM		C26

[ ] = Group

\* = Wearing parts

49.0212.01	P357/12.7/0.40-0.64/2.5		P357.0001.01		20.12.17	
Item-No.		in group	Pcs.	Description	Dimension	Field
P35.1344		P35.0350	1	SLIDE GATE		D1
P35.1350		P35.0321	1	COUNTER SLEEVE		D26
P35.2058		P35.0211	1	THROTTLE BODY		E24+
P35.2060		P35.0211	1	THROTTLE SCREW		F23+
P35.2069		P35.0325	2	RATCHET DISK		E10
P35.2073		P35.0325	1	DISK		D10
P35.3143		P35.0204	2	SUSTAINING RING		D7
P35.3143		P35.0317	2	SUSTAINING RING		B9+
P35.3158		P35.0347	1	DISK		D24
P35.3201			3	IDLER GEAR		B18
P35.3202	*		1	TENSIONING WHEEL		C17
P35.3220			1	SEESAW LEVER		C14
P35.3221			1	SEESAW LEVER		D13
P35.4112		P35.0204	1	PUSHER		D7
P35.4113		P35.0204	1	EXHAUST RING		C7
P35.4114		P35.0204	1	GUIDE		D7
P35.4114		P35.0317	1	GUIDE		B9
P35.4119		P35.0316	1	PUSHER		D8
P35.4121		P35.0317	1	DOWEL		C10
P35.4122		P35.0317	1	SLIDE BOLT		C10
P35.4145		P35.0211	1	THROTTLE SEAT		E24+
P35.4162		P35.0310	1	END RING		B5
P35.4163		P35.0310	1	VALVE SHELL		B5
P35.4172		P35.0333	2	SUPPORTING DISK		C2+
P35.4176		P35.0333	2	RETAINER		C3
P35.4180		P35.0350	2	SIEVE		C3
P35.4182		P35.0350	2	EXHAUST SILENCER		C3
P35.4207		P35.0350	1	CONTROL HEAD		D1
P35.5101		P35.0324	1	COVER		C19
P35.5102			1	COVER		C16
P35.5104		P35.0330	1	SWIVEL SHAFT		C18
P35.5105		P35.0302	1	PINION		C15
P35.5106		P35.0302	1	WELDING EXCENTRIC		B15
P35.5107		P35.0303	1	ROCKER		C13
P35.5108		P35.0304	1	PISTON ROD		A14
P35.5109		P35.0350	1	TUBE		C20
P35.5110		P35.0350	1	PUSHER		C20
P35.5111		P35.0330	1	NOZZLE		C6
P35.5112		P35.0305	1	GEAR BODY		A20
P35.5115		P35.0306	1	GEAR WHEEL		A20
P35.5116		P35.0309	1	GEAR WHEEL		C15
P35.5117		P35.0350	1	BEARING SUPPORT		C15
P35.5118		P35.0350	1	SEAL PLATE		C5
P35.5119		P35.0310	1	CONTROL ROD		C5
P35.5125	*	P35.0333	8	VANE		B1
P35.5126		P35.0333	1	ROTOR		B3
P35.5127		P35.0313	1	GEAR WHEEL		B1
P35.5128		P35.0313	1	COVER		B1
P35.5131		P35.0350	1	SIEVE		D4
P35.5132		P35.0350	1	EXHAUST SILENCER		D3
P35.5133		P35.0350	1	COVER		D3
P35.5134		P35.0333	1	MOTOR HOUSING		C5

[ ] = Group

\* = Wearing parts

49.0212.01	P357/12.7/0.40-0.64/2.5		P357.0001.01		20.12.17	
Item-No.		in group	Pcs.	Description	Dimension	Field
P35.5135		P35.0350	1	SEAL PLATE		E9
P35.5136		P35.0350	1	THROTTLE		E9
P35.5137		P35.0316	1	VALVE RING		C8
P35.5138		P35.0316	1	SUSTAINING RING		C8
P35.5139		P35.0316	1	SUSTAINING RING		D8
P35.5140		P35.0316	1	DISK		D8
P35.5141		P35.0318	1	COVER		B8
P35.5142		P35.0318	1	LEVER		C7
P35.5143		P35.0318	1	LEVER		B7
P35.5144		P35.0318	2	SHAFT		A7+
P35.5145		P35.0350	1	SEAL PLATE		C21
P35.5146		P35.0347	1	HANDLE		D22+
P35.5147		P35.0347	1	VALVE HOUSING		E25
P35.5148		P35.0319	1	END RING		C24
P35.5149		P35.0319	1	SUSTAINING RING		C24
P35.5150		P35.0319	1	SUSTAINING RING		C24
P35.5151		P35.0319	1	SUSTAINING RING		B24
P35.5151		P35.0320	1	SUSTAINING RING		A23
P35.5152		P35.0319	2	SUSTAINING RING		A24+
P35.5152		P35.0320	1	SUSTAINING RING		B23
P35.5153		P35.0319	1	INTERMEDIATE RING		A24
P35.5154		P35.0319	1	VALVE STEM		D24
P35.5155		P35.0320	1	CYLINDER		D23
P35.5156		P35.0320	1	INTERMEDIATE RING		C23
P35.5157		P35.0320	2	SUSTAINING RING		B23+
P35.5158		P35.0320	1	END RING		A23
P35.5159		P35.0320	1	VALVE STEM		C23
P35.5160		P35.0321	1	VALVE SHELL		C26
P35.5161		P35.0347	1	COVER		C26
P35.5162		P35.0347	1	SEAL PLATE		F25
P35.5164		P35.0350	1	DISK		D22
P35.5165		P35.0350	1	HANDLE LEVER		D21
P35.5166		P35.0350	1	HANDLE SHAFT		C21
P35.5169		P35.0325	1	FLANGE		E9
P35.5173		P35.0333	1	CONICAL GEAR WHEEL		C4
P35.5174		P35.0328	1	CONICAL GEAR WHEEL		A4
P35.5175		P35.0330	1	BODY		B20
P35.5176		P35.0331	1	END PLATE		A2
P35.5177		P35.0332	1	END PLATE		B3
P35.5178		P35.0333	1	JACKET		B3
P35.5184		P35.0342	3	IDLER GEAR		B21
P35.5185		P35.0344	1	GEAR WHEEL		B21
P35.5186		P35.0342	1	PLANET SHAFT		B20
P35.5187		P35.0342	1	GEAR WHEEL		B21
P35.5188		P35.0341	1	GEAR WHEEL		A21
P35.5191		P35.0335	1	LEVER		B20
P35.5192		P35.0343	1	GEARING COVER		B22
P35.5193		P35.0348	1	THROTTLE SCREW		D25
P36.1305		P35.0211	1	GUIDE		E23+
P36.1306		P35.0211	1	THROTTLE HOLDER		F23+

[ ] = Group

\* = Wearing parts





