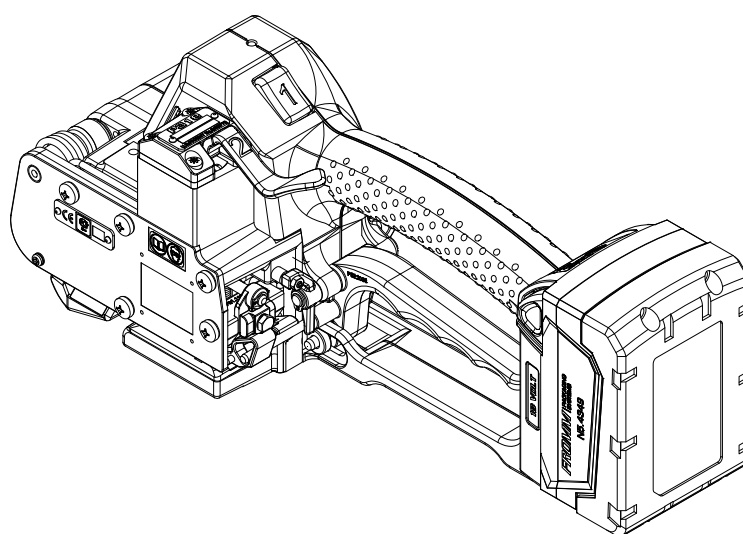


SPARE PARTS LIST / DRAWINGS

**BATTERY - POWERED  
PLASTIC STRAPPING TOOL  
MODEL P318**

**43.0831.01**



**INDEX**

**PAGE**

<b>1</b>	<b>SPARE PARTS LIST 43.0831.01</b>	<b>2</b>
<b>2</b>	<b>DRAWING 43.0831.01</b>	<b>6</b>

**1 SPARE PARTS LIST 43.0831.01**

43.0831.01	P318/13.0/0.35-0.80/PP		P318.0001.01		22.04.20	
Item-No.		in group	Pcs.	Description	Dimension	Field
N1.1305		P31.0102	2	SCREW	M4 X 7.8	D9
N1.1553		P32.1250	1	HEXAGON SCREW	M4 X 8	C12
N1.1904			3	SCREW	M5 X 20	C6
N1.1909		P31.0104	2	FLAT HEAD SCREW	M3 X 5	D2+
N1.1922		P31.0102	1	SCREW	M3 X 10	C17
N1.1927		P31.0109	2	FLAT HEAD SCREW	M4 X 60	A19
N1.1929			2	SCREW	M5 X 50	D6
N1.1932			1	FLAT HEAD SCREW	M3 X 8	C4
N1.1934		P31.0109	3	FLAT HEAD SCREW	M4 X 50	A19
N1.1952		P31.0102	4	FLAT HEAD SCREW	M4 X 20	A7
N1.2216			1	COUNTERSUNK SCREW	M3 X 8	D3
N1.2216		P32.0172	3	COUNTERSUNK SCREW	M3 X 8	B24
N1.3150		P32.1414	1	SOCKET SET SCREW	M3 X 8	C24
N1.5120		P32.1414	1	HEXAGON NUT	M3	C24
N1.6331		P31.0102	2	SPACER WASHER	6 X 12 X 0.5	C14+
N1.6331		P31.0109	2	SPACER WASHER	6 X 12 X 0.5	B18
N1.6344		P31.0102	1	SPACER PIECE	6.3 X 15 X 5	D14
N1.6503			5	SAFETY WASHER	M5	C5
N1.6504		P31.0102	6	SAFETY WASHER	M4	B7+
N1.6504		P31.0109	5	SAFETY WASHER	M4	B19
N1.6504		P32.1250	1	SAFETY WASHER	M4	C12
N1.6505			1	SAFETY WASHER	M3	C17
N1.6505		P31.0102	1	SAFETY WASHER	M3	C4
N1.6505		P31.0104	2	SAFETY WASHER	M3	D2+
N1.7206		P31.1126	1	PT-SCREW	2.2 X 10	C20
N1.7211		P31.0110	6	PT-SCREW	3 X 20	A20
N2.1118		P31.0110	1	SECURITY RING	6	C24
N2.1121			1	SECURITY RING	5	C12
N2.1121		P31.0102	4	SECURITY RING	5	D10+
N2.1606		P31.0110	1	SPRING RING	SW6	A20
N2.1610		P31.0102	1	SPRING RING	SB44	B15
N2.1805		P31.0102	1	TENSIONING RING	6	D14
N2.2110		P31.0105	1	PARALLEL PIN	4 m6 X 10	D8
N2.2118		P31.0102	1	PARALLEL PIN	4 m6 X 14	D14
N2.2119		P32.0140	1	PARALLEL PIN	4 m6 X 18	C16
N2.2122		P32.0140	2	PARALLEL PIN	3 h6 X 14	C16
N2.2166		P31.0106	4	PARALLEL PIN	4 h6 X 20	B15+
N2.2187		P31.0105	1	PARALLEL PIN	3 m6 X 6	C9
N2.2189		P31.0108	4	PARALLEL PIN	3 m6 X 5	D2
N2.2190		P31.0102	1	PARALLEL PIN	6 h6 X 18	B17
N2.2193			1	PARALLEL PIN	3 m6 X 32	C11
N2.2443		P32.0139	1	DOWEL PIN	4 X 15	A8
N2.3342		P31.0102	1	FEATHER KEY	2 X 2 X 10	C1
N2.4902			4	HAMMER HEAD BOLT	1.85 X 4.76	C5+
N2.5153		P31.0110	1	PRESSURE SPRING	0.4 X 4.1 X 16/10.5	C23
N2.5157		P31.0102	2	PRESSURE SPRING	0.6 X 4.8 X 20/15.5	B8
N2.5178			2	PRESSURE SPRING	0.32X2.82X20.5/20.5	D11
N2.5237			1	PRESSURE SPRING	0.8 X 4.8 X 25/18.5	C11
N2.5294		P32.0139	1	PRESSURE SPRING	2.5 X 15 X 46.5/9.5	B9
N2.5295		P31.0102	1	PRESSURE SPRING	1.5 X 21 X 27/5.5	B9

[ ] = Group

\* = Wearing parts

43.0831.01	P318/13.0/0.35-0.80/PP		P318.0001.01			22.04.20
Item-No.		in group	Pcs.	Description	Dimension	Field
N2.5296		P31.0102	1	PRESSURE SPRING	0.5 X 4 X 24/16.5	C9
N2.5822		P31.0102	1	TORSION SPRING	1.25 X 12/3.75	D14
N2.5823			1	TORSION SPRING	2.8 X 17/4	C4
N21.5124		P31.0110	1	PRESSURE SPRING	0.9 X 10 X 15/5.5	D22
N3.1134			1	BALL BEARING	7 X 22 X7	B4
N3.1134		P31.0102	1	BALL BEARING	7 X 22 X7	B16
N3.1134		P32.1021	1	BALL BEARING	7 X 22 X7	A18
N3.1137		P31.0110	2	BALL BEARING	15 X 24 X 5	B22
N3.1137		P32.0150	1	BALL BEARING	15 X 24 X 5	B24
N3.1157		P31.0106	1	BALL BEARING	30 X 42 X 7	C16
N3.1159		P31.0102	1	BALL BEARING	6 X 19 X 6	B18
N3.1160		P32.0119	1	BALL BEARING	40 X 52 X 7	A14
N3.1172			2	BALL BEARING	30 X 42 X 7	B3+
N3.1178		P31.0107	1	BALL BEARING	35 X 44 X 5	B14
N3.1702		P31.0102	6	BALL	4 MM	D10
N3.2105		P31.0106	4	NEEDLE CAGE	K 4 X 7 X 7 TN	C15+
N3.2347		P32.0144	2	NEEDLE BUSH	10 X 14 X 12	A17
N3.3172		P31.0105	1	SLIDE-BEARING	8 X 10 X 10	C1
N3.3172		P31.0108	3	SLIDE-BEARING	8 X 10 X 10	C2
N3.3174		P32.0139	2	SLIDE-BEARING	4 X 5.5 X 6	A8+
N3.3174		P32.2079	1	SLIDE-BEARING	4 X 5.5 X 6	D23
N3.3174		P32.2080	1	SLIDE-BEARING	4 X 5.5 X 6	C20
N3.4509	*	P32.0150	1	NEEDLE FREE WHEELING	6 X 10 X 15	A24
N3.4509	*	P32.0156	1	NEEDLE FREE WHEELING	6 X 10 X 15	D14
N3.4520	*	P32.0151	1	FREE-WHEELING	6 X 10 X 12	C22
N31.1118		P31.0110	2	BALL BEARING	10 X 19 X 5	C22
N31.1120		P31.0110	1	BALL BEARING	4 X 11 X 4	C22
N4.9159			1	LABEL	<<CE>>	C5
N41.9127			1	ADHESIVE LABEL	20 X 10 X 0.1	B5
N43.9164			1	ADHESIVE LABEL	WEEE	B20
N43.9192		P31.0110	2	ADHESIVE LABEL	18 Volt	A21+
N44.9185			1	TYPE PLATE		A7
N44.9190		P32.2079	1	ADHESIVE LABEL		--
N5.2367		P31.1126	1	MICRO SWITCH		D21
N5.2368		P31.1126	1	MICRO SWITCH		C20
N5.2702			1	COVER		B20
N51.2194		P31.0110	1	INSERT PART		D22
N61.6216		P31.0110	3	O-RING	23.5 X 3	B21+
P30.1158			1	GUIDE PIN		D11
P30.1164			1	GUIDE PIN		D11
[P31.0102]		P31.0109	1	BODY		A11
[P31.0104]			1	TENSIONING BODY		D2
[P31.0105]		P31.0102	1	BODY		C8
[P31.0106]		P31.0102	1	IDLER STEP		B15
[P31.0107]		P31.0102	1	WHEEL		A15
[P31.0108]		P31.0104	1	TENSIONING BODY		D2
[P31.0109]			1	BASE MODEL		A13+
[P31.0110]		P31.0109	1	DRIVE		C19
P31.1101		P31.0105	1	BODY		A1+
P31.1102		P31.0107	1	WHEEL		B14
P31.1103		P31.0102	1	LEVER		D14
P31.1104		P31.0102	1	CATCH PAWL		D14

[ ] = Group

\* = Wearing parts

43.0831.01	P318/13.0/0.35-0.80/PP		P318.0001.01		22.04.20	
Item-No.		in group	Pcs.	Description	Dimension	Field
P31.1105		P31.0108	1	TENSIONING BODY		D2
P31.1107	*		1	TENSIONING WHEEL		B3
P31.1109		P31.0106	1	PLANET SHAFT		C16
P31.1114			1	STRAP STOP		D3
P31.1119			1	STRAP GUIDE		C3
P31.1120			1	END COVER		B5
P31.1124		P31.0102	1	TUBE		C9
P31.1125	*		1	CUTTER		C11
[P31.1126]		P31.0110	1	CIRCUIT BOARD		C21
[P32.0119]		P31.0109	1	GEAR WHEEL		A14
[P32.0139]		P31.0102	1	SPRING PACKAGE		A9
[P32.0140]		P31.0102	1	INSERT PART		B16
[P32.0144]		P31.0102	1	ROCKER		A17
[P32.0150]		P31.0110	1	GEAR WHEEL		B24
[P32.0151]		P31.0110	1	CONICAL GEAR WHEEL		B21
[P32.0156]		P31.0109	1	GEAR WHEEL		C15
P32.0159		P31.0110	1	PINION		C22
[P32.0172]		P31.0110	1	MOTOR		A23
P32.1011		P31.0102	1	FELT		C8
P32.1011		P31.0110	1	FELT		D23
P32.1012		P31.0102	1	PUSHER		B10
[P32.1021]		P31.0102	1	WELDING EXCENTRIC		A18
P32.1022		P32.1021	1	WELDING EXCENTRIC		A17
P32.1023		P32.1021	1	PINION		A18
P32.1024		P32.0144	1	ROCKER		A17
P32.1027		P31.0102	1	BALL CAGE		C10
P32.1028		P31.0102	1	BOLT		D11
P32.1029		P31.0102	1	THRUST PIECE		C10
P32.1032		P31.0102	1	DRIVING PIN		C10
P32.1035		P31.0102	2	DRIVER		D10+
P32.1046		P31.0106	4	IDLER GEAR		B15+
P32.1049		P32.0119	1	GEAR WHEEL		A13
P32.1050		P31.0102	1	FRONT TOGGLE LINK		C2
P32.1053	*	P31.0102	1	WELDING GRIPPER		D10
P32.1201		P31.0102	1	STEEL INSERT		D7
P32.1203	*	P31.0102	1	WELDING STOP GRIPPER		D7
P32.1206			1	GUIDE CASE		C11
P32.1208			1	CENTERING SLEEVE		C12
P32.1216			1	PRESSURE ROLLER		C2
P32.1222	*	P31.0104	1	GRIPPER		C3
P32.1223	*	P31.0104	1	GRIPPER		C3
P32.1224	*	P31.0104	1	GRIPPER		C3
P32.1228		P31.0104	1	HOLDER		C3
P32.1229		P31.0104	1	HOLDER		C3
P32.1248			1	SEESAW LEVER		C12
P32.1249			1	SEESAW LEVER		C11
[P32.1250]			1	PUSHER		B12
P32.1251		P32.1250	1	PUSHER		C12
P32.1252		P32.1250	1	THRUST PIECE		C12
P32.1403		P32.0139	1	SPRING BOLT		B9
P32.1404		P32.0139	1	SPRING SLIDE		A9
P32.1405		P32.0139	1	ROLLER		A9

[ ] = Group

\* = Wearing parts

43.0831.01	P318/13.0/0.35-0.80/PP		P318.0001.01			22.04.20
Item-No.		in group	Pcs.	Description	Dimension	Field
P32.1410		P31.0102	1	PUSHER		C9
P32.1411		P31.0102	1	LEVER		C16
P32.1412		P32.0140	1	INSERT PART		C16
[P32.1414]		P31.0110	1	LEVER		C24
P32.1415		P31.0110	1	HANDLE SHAFT		C23
P32.1422		P32.1414	1	LEVER		D23
P32.2006		P31.0110	1	HANDLE LEVER		B23
P32.2009		P31.1126	2	TURNING BUTTON		C20
P32.2012		P31.0102	1	GUIDE		C17
P32.2015		P32.0150	1	GEAR WHEEL		A24
P32.2016		P31.0102	1	GEAR WHEEL		B18
P32.2017		P31.0105	1	SWIVEL SHAFT		C2
P32.2018		P32.0151	1	CONICAL GEAR WHEEL		C22
P32.2020		P31.0102	1	COVER		B7
P32.2023		P31.0102	1	FIXING PLATE		A9
P32.2024		P31.0110	1	PRESSURE BUTTON		B23
P32.2026		P31.0102	1	LEVER		B7
P32.2030		P31.0110	1	DISK		B22
P32.2032		P31.0102	1	HOOK		C17
P32.2034		P31.0109	1	SHAFT		D15
P32.2036		P32.0156	1	GEAR WHEEL		C14
P32.2064		P32.0172	1	COOLING PLATE		B23
P32.2067		P31.0102	2	CENTERING SLEEVE		C7
P32.2078	*	P32.0172	1	ELECTRIC MOTOR		B23
[P32.2079]		P31.0110	1	MOTOR HOUSING		B24
[P32.2080]		P31.0110	1	MOTOR HOUSING		B22
P32.2121		P32.0172	1	DISK		A23

[ ] = Group

\* = Wearing parts

2 DRAWING 43.0831.01

